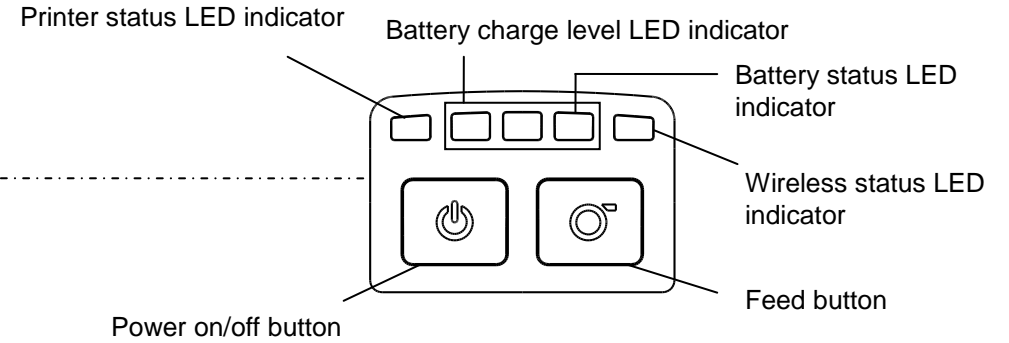
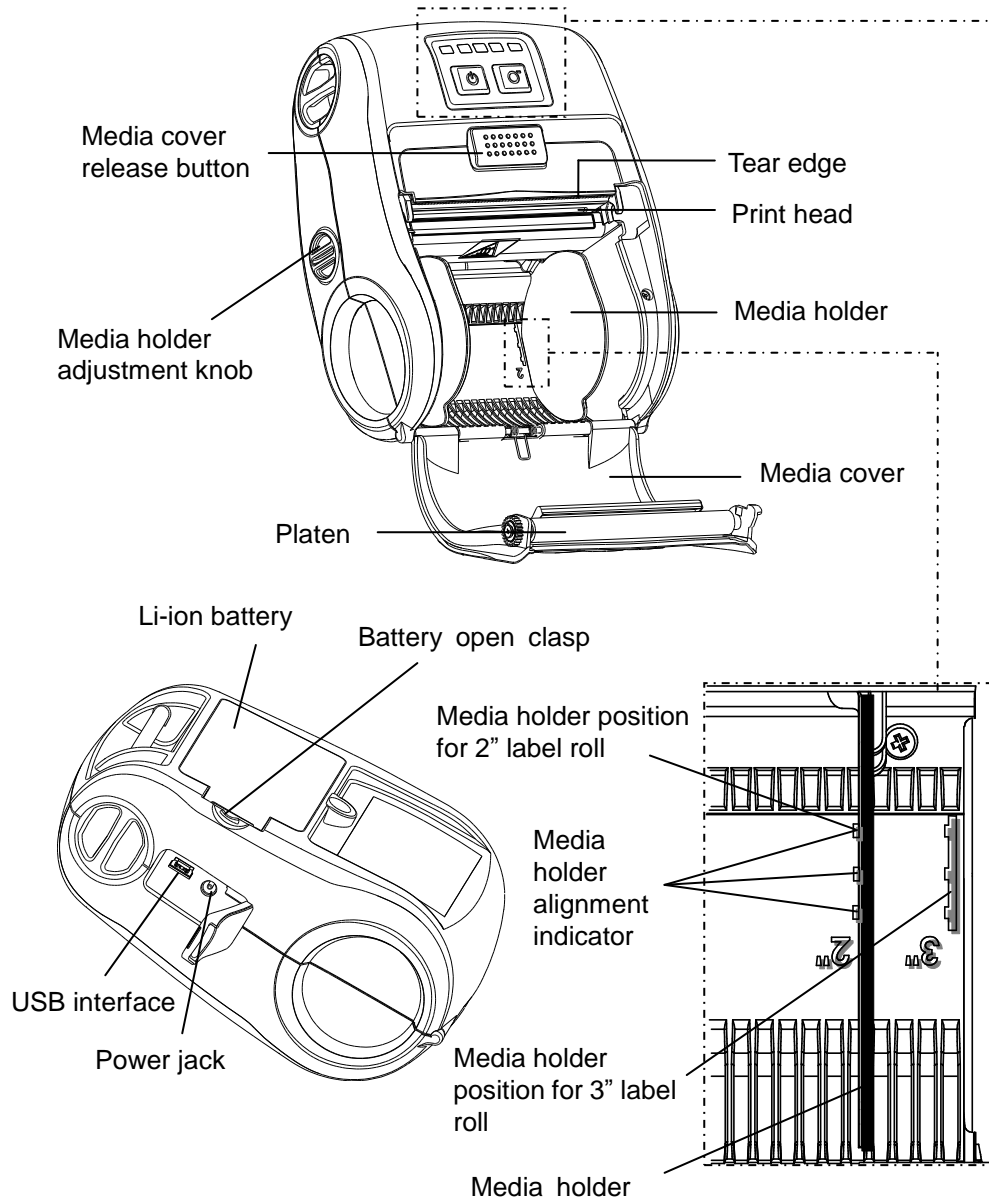


Quick Installation Guide

Printer Overview



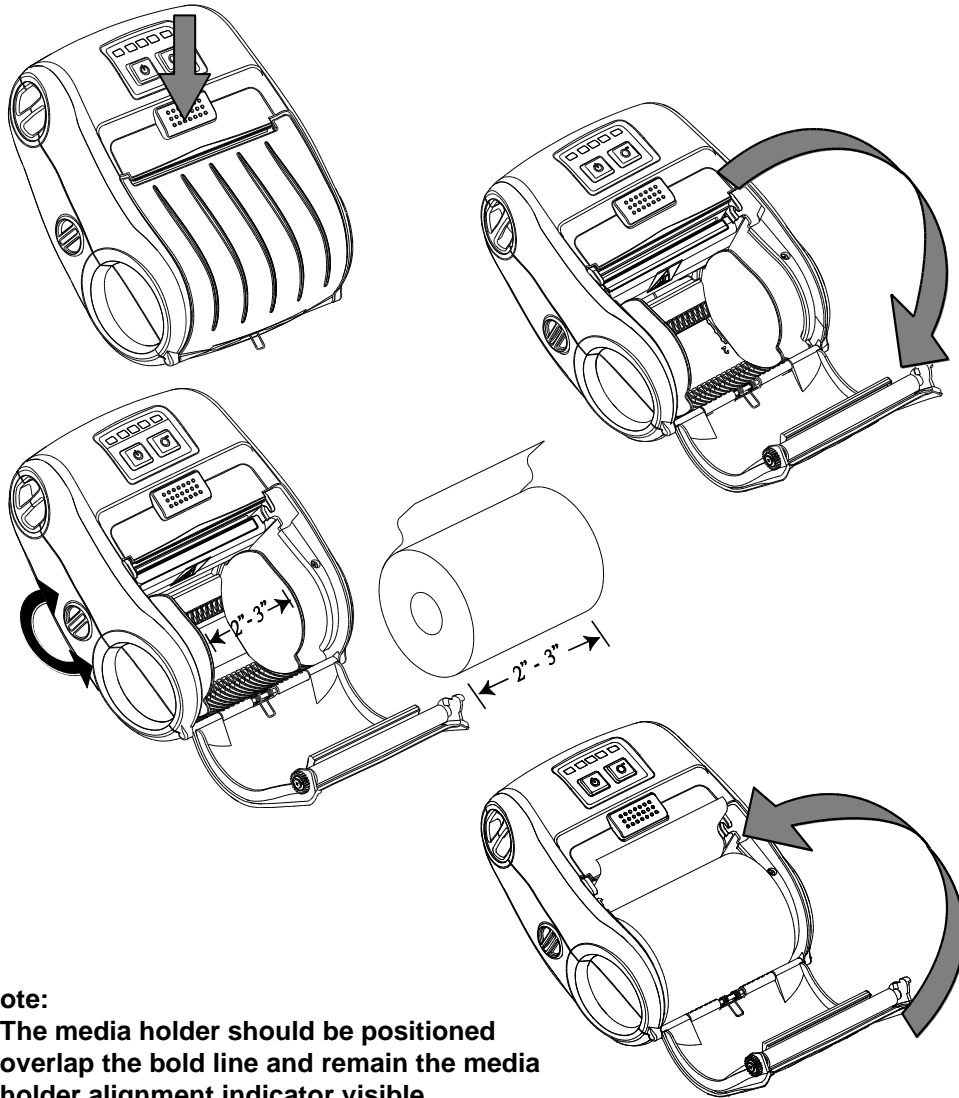
LED Indication and Keys

LED	Status	Indication
Printer status LED indicator	Off	Printer is ready
	Green (blinking)	Printer is paused
	Red (solid)	Media cover is open
	Red (blinking)	Printer error
Battery status LED indicator	Green (blinking)	Recharge the battery
	Amber (solid)	Battery is charging
Battery charge level LED indicator	Green (solid)	Full charged 2/3 charged level 1/3 charged level
	Blue (solid)	Wireless device is ready
	Blue (blinking)	Wireless device is communicating

Keys	Function
	1. Press and hold for 2-3 seconds to turn on the printer. 2. Press and hold for 2-3 seconds to turn off the printer.
	1. Ready status: Feed one label 2. Printing status: Pause the print job

Note: Wireless devices are optional.

Loading the Media



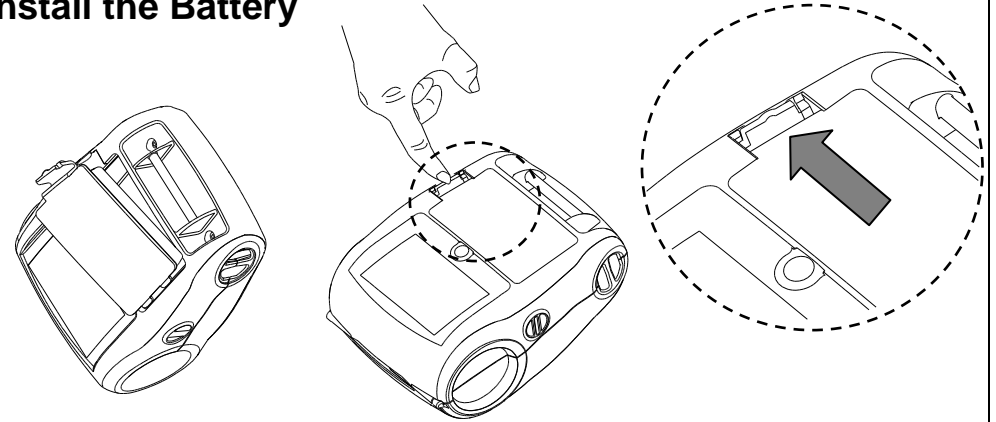
Note:

The media holder should be positioned overlap the bold line and remain the media holder alignment indicator visible.

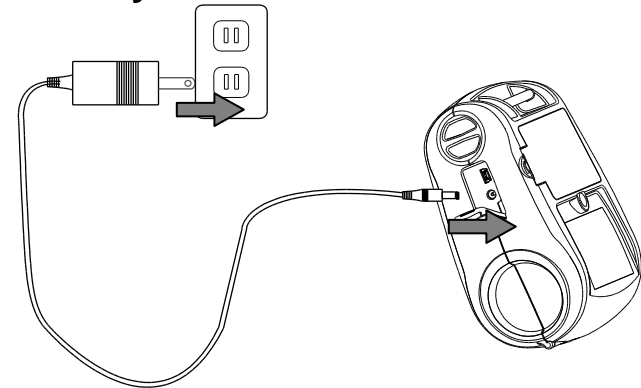
* For more information and features about this printer, please refer to the user's manual on the CD disk.

* Specifications, accessories, parts and programs are subject to change without notice.

Install the Battery



Charge the Battery



Install the Belt Clip

