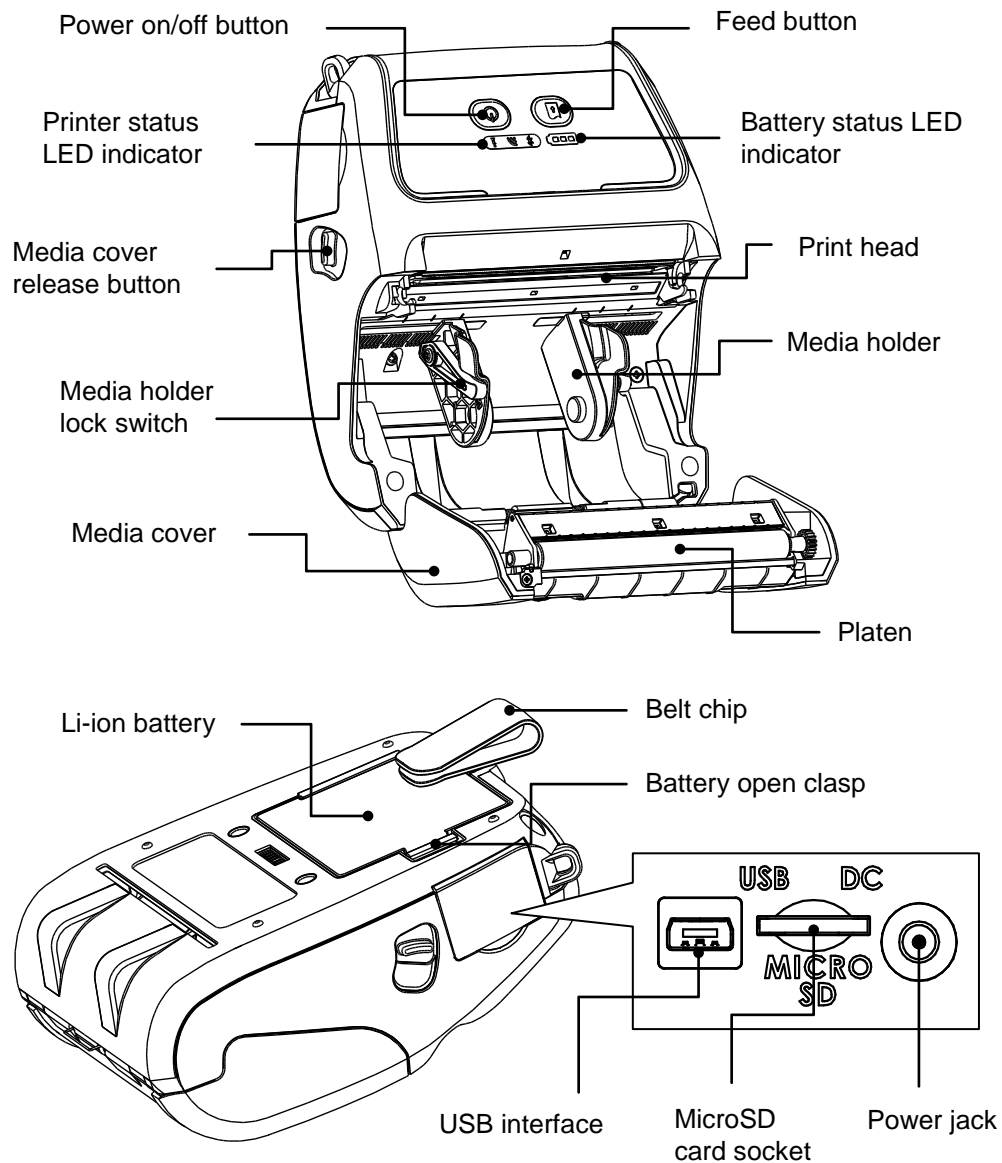


# Quick Installation Guide

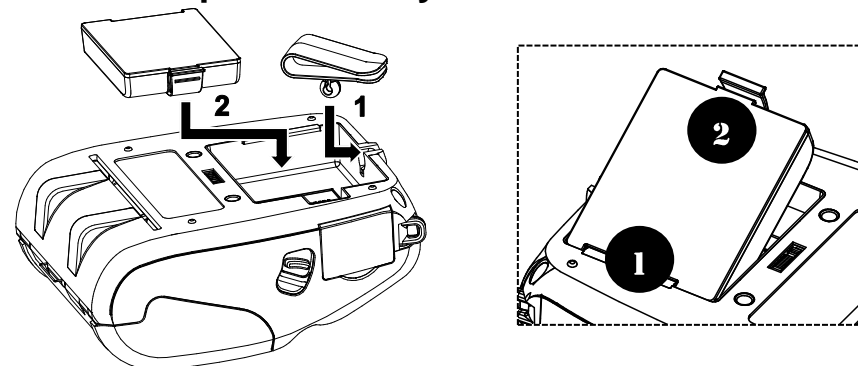
## Printer Overview



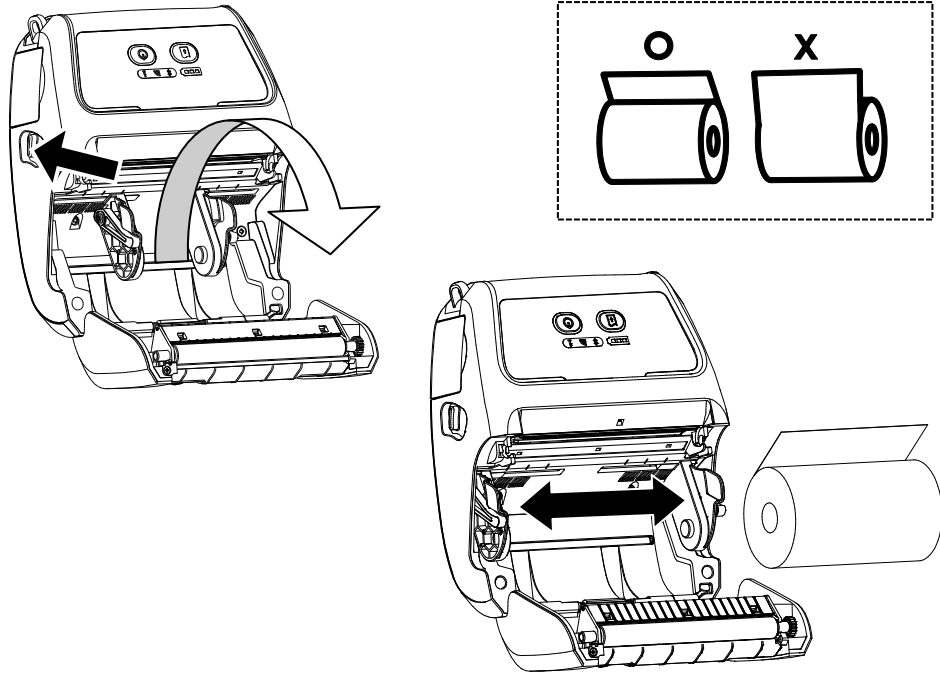
## Keys and LEDs Indication

Keys	Function	
	<ul style="list-style-type: none"> <li>- Press and hold for 2-3 seconds to turn on the printer.</li> <li>- Press and hold for 2-3 seconds to turn off the printer.</li> </ul>	
	<ul style="list-style-type: none"> <li>- Ready status: Feed one label</li> <li>- Printing status: Pause the print job</li> </ul>	
LEDs	Status	Indication
		Full charged
		2/3 charged level
		1/3 charged level
		Low battery
		Bluetooth device is ready
		Bluetooth device is communicating
		WiFi device is ready
		WiFi device is ready
		WiFi device is communicating
<b>Note: WiFi device is optional.</b>		
	Off	Printer is ready
		<ul style="list-style-type: none"> <li>- Printer is paused</li> <li>- Printer is downloading data</li> </ul>
		<ul style="list-style-type: none"> <li>- Media cover is open</li> <li>- Out of memory</li> </ul>
		<ul style="list-style-type: none"> <li>- No paper</li> <li>- Paper jam</li> </ul>

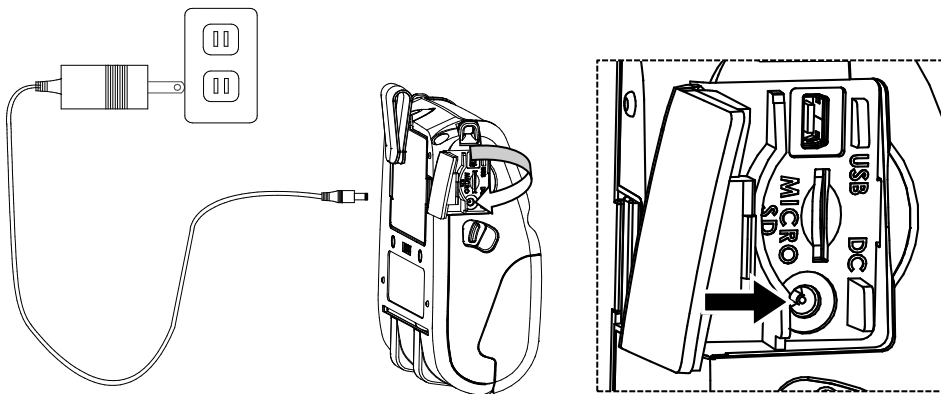
## Install Belt Clip and Battery



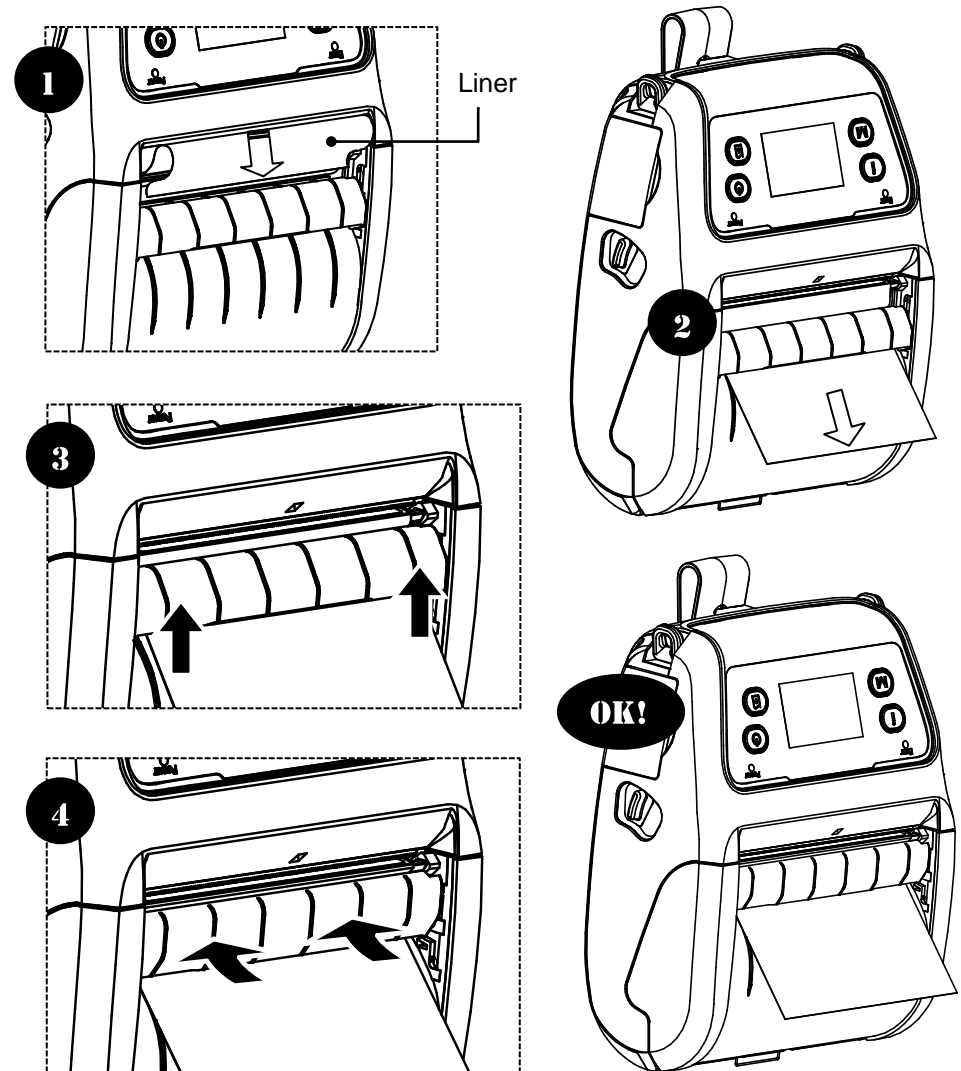
## Loading the Media



## Charge the Battery



## Loading Media in Peel-off Mode



\* For more information and features about this printer, please refer to the user's manual on the CD disk.

\* Specifications, accessories, parts and programs are subject to change without notice.