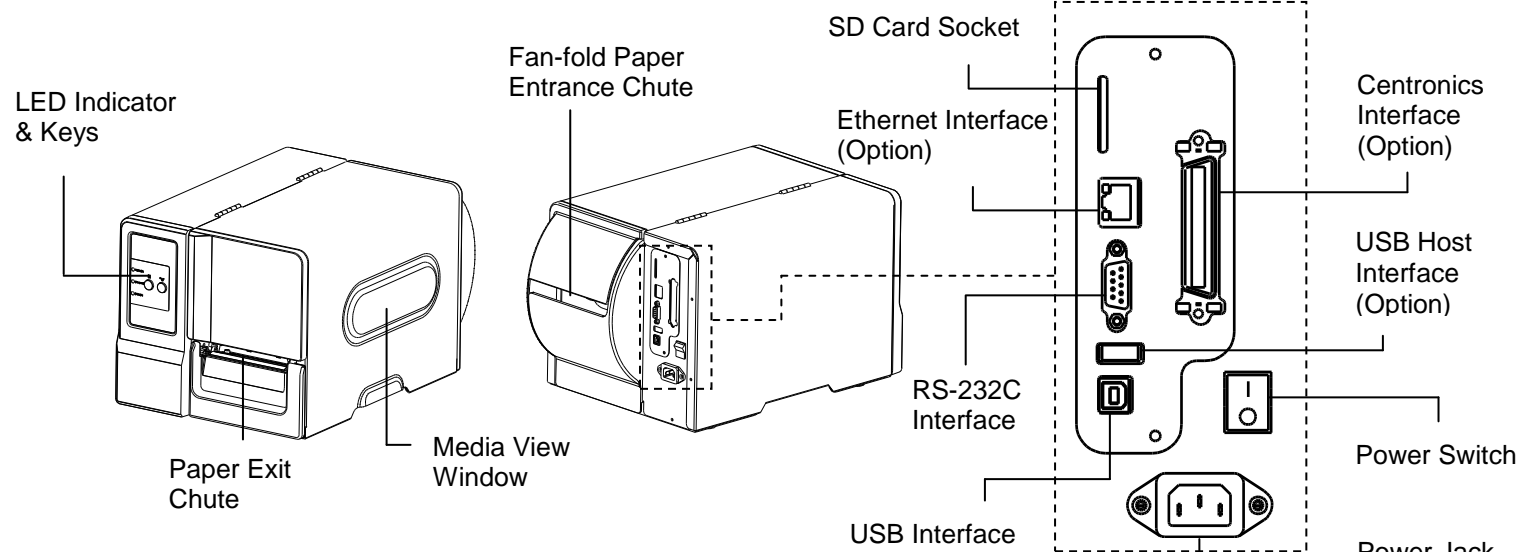
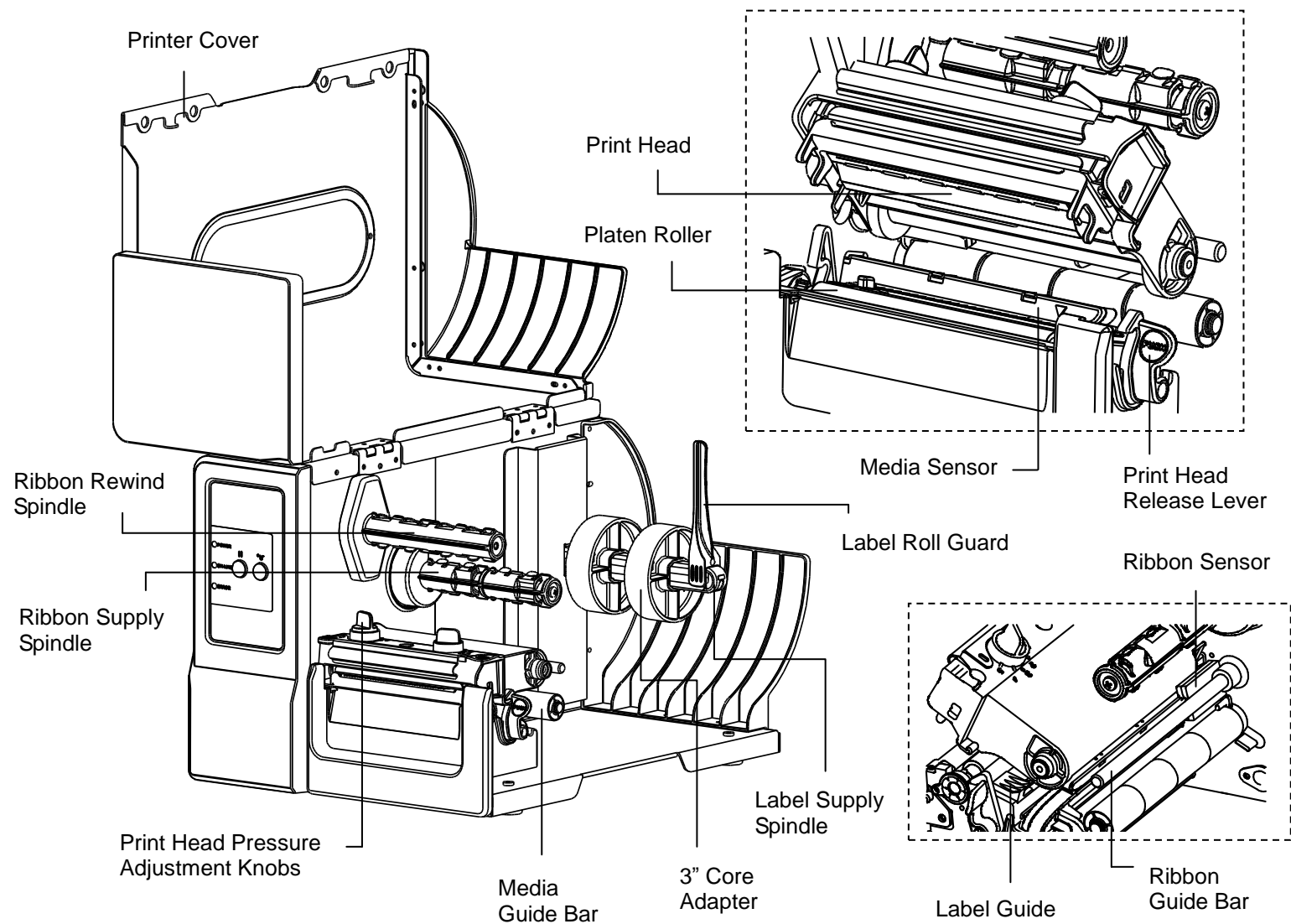


Quick Installation Guide

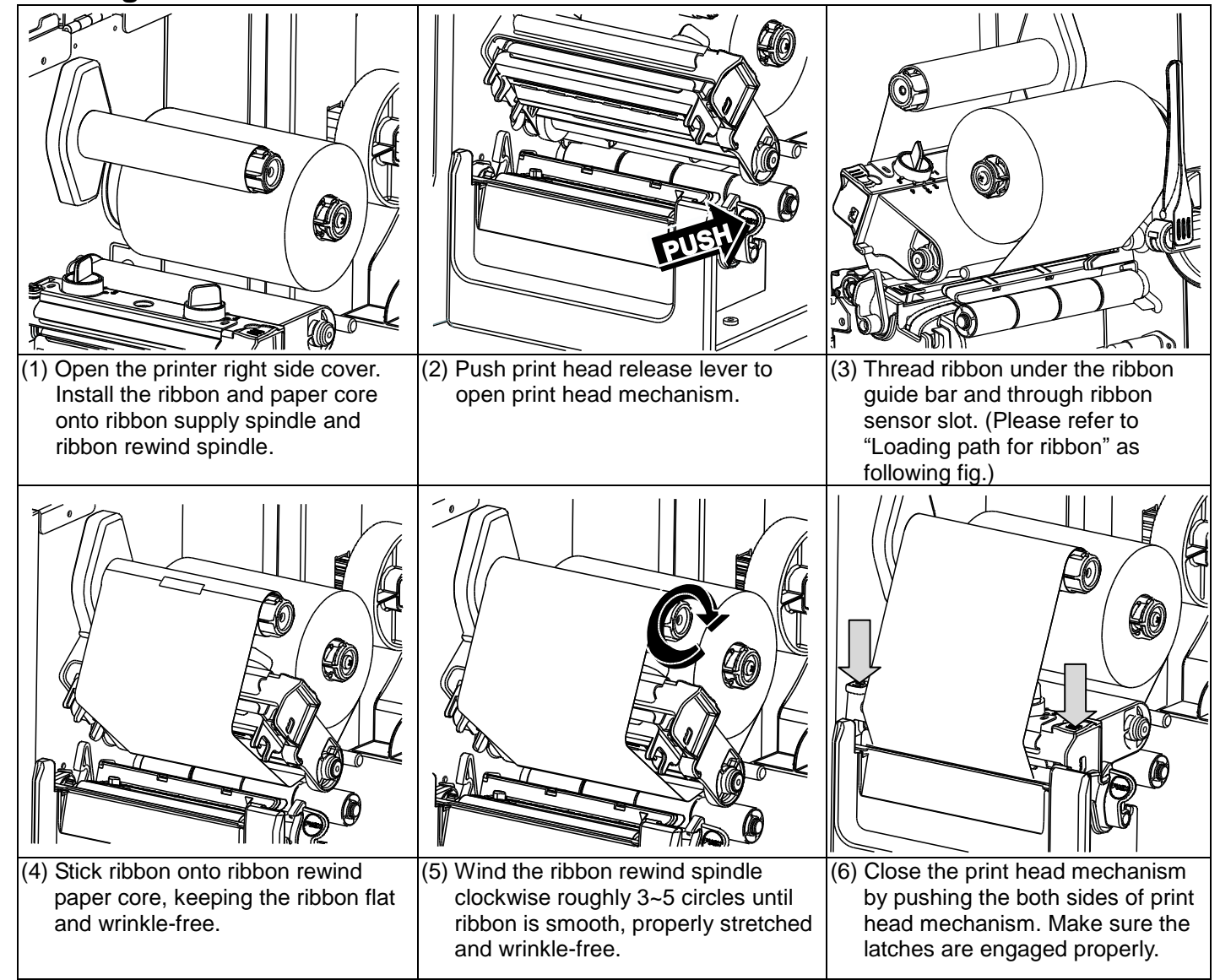
Printer Overview



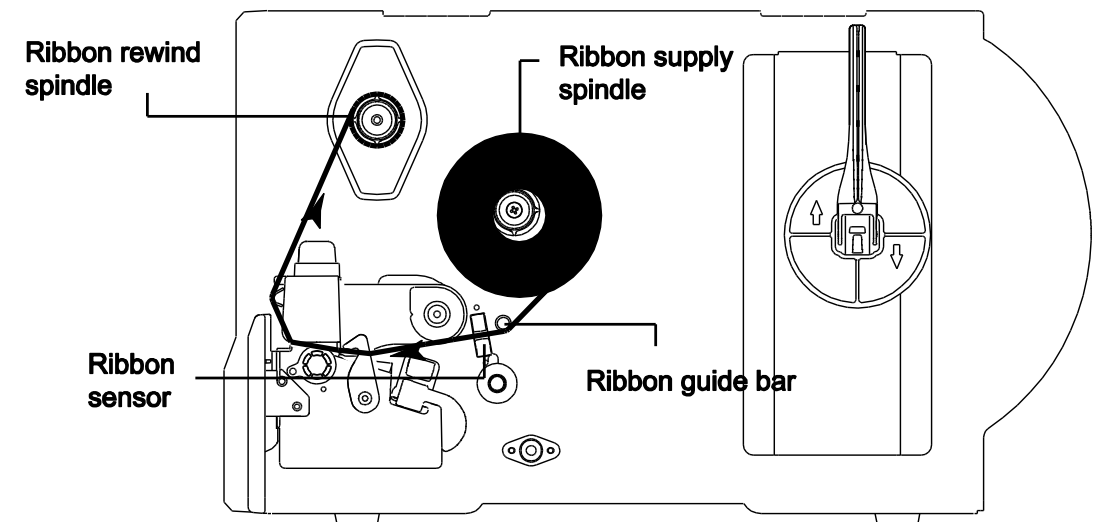
Note:
The interface picture here is for reference only. Please refer to the product specification for the interfaces availability.



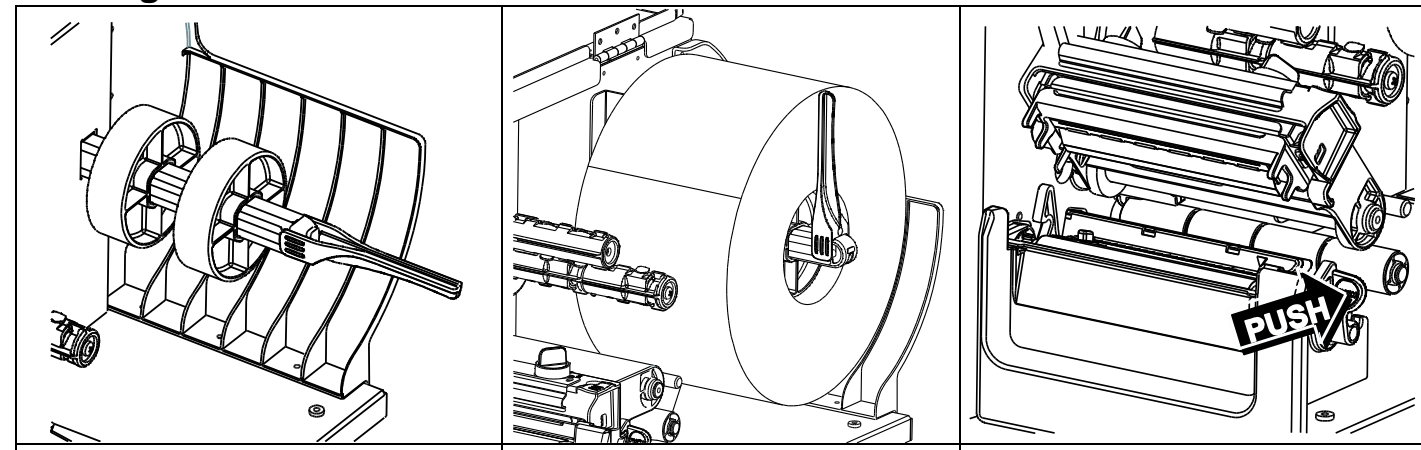
Loading the Ribbon



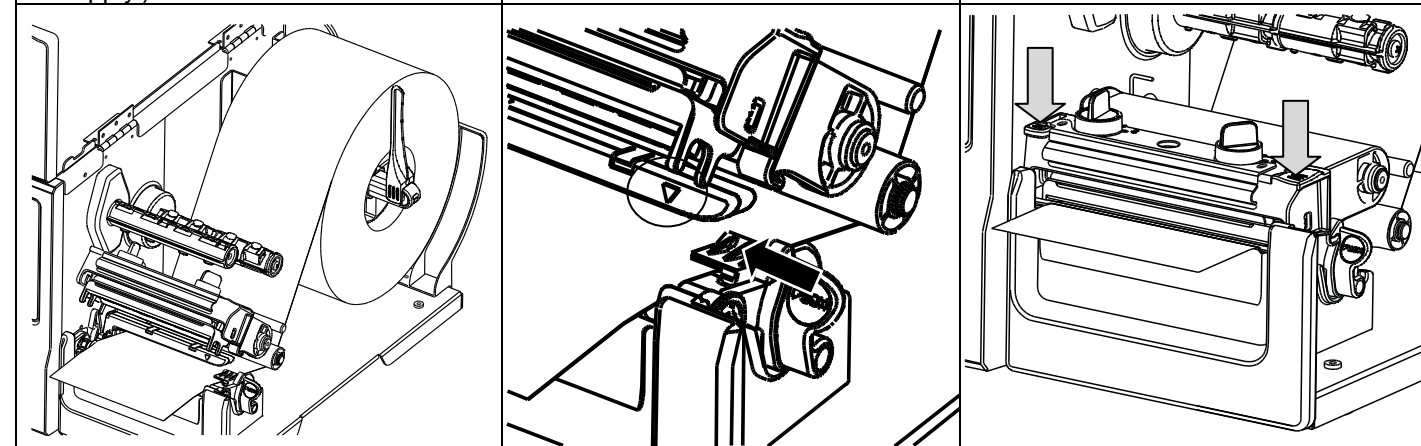
* Loading path for ribbon



Loading the Media

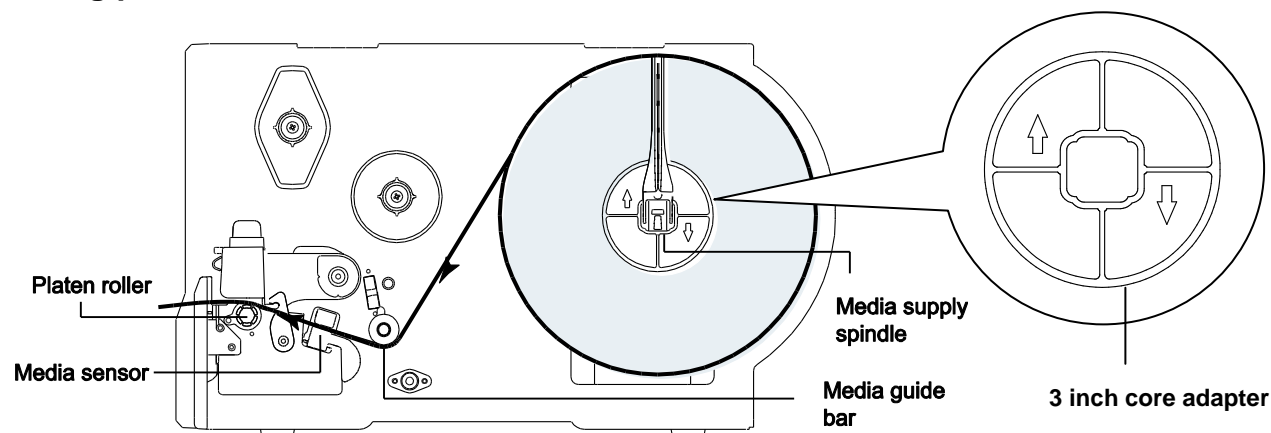


- (1) Open the printer right side cover. Move the label roll guard horizontally to the end of label spindle then flip down the label roll guard. (If your paper core is 1 inch, remove the 3 inch core adapters from the label supply.)
- (2) Place the roll of media on the label supply spindle. Flip up the label roll guard. (When insert the 3 inch core adapter to the spindle, please making sure the arrow direction is as following fig.)
- (3) Push the print head release lever to open the print head mechanism.



- (4) Pull the leading edge of the label forward through the media guide bar pass media sensor, and place the leading edge onto the platen roller. (Please refer to "Loading path for media" as following fig.)
- (5) Adjust the label guide to fit the label width and adjust the media sensor to make sure the gap or black mark is at the location where media gap/black mark will pass through for sensing.
- (6) Close print head mechanism by pushing the both sides of print head mechanism, make sure the latches are engaged properly.

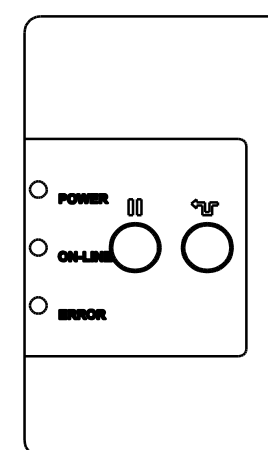
* Loading path for media



- (7) Set media sensor type and calibrate the selected sensor. (Please refer to the "Diagnostic Tool" on facing page to calibrate the sensor.)
- Note: Re-calibrate the gap/black-mark sensors when changing media. The sensor location is marked by a triangle mark ▽ at the sensor housing.**

* For more information and features about this printer, please refer to the user's manual on the CD disk.
 * Specifications, accessories, parts and programs are subject to change without notice.

Control Panel



LED	Status	Indication
POWER	Off	Printer power off
	On	Printer power on
ON-LINE	On	Printer is ready
	Blinking	Printer is paused
	Blinking	Printer is downloading data
ERROR	Off	Printer is ready
	On	Carriage open or cutter error
	Blinking	No paper, paper jam or no ribbon

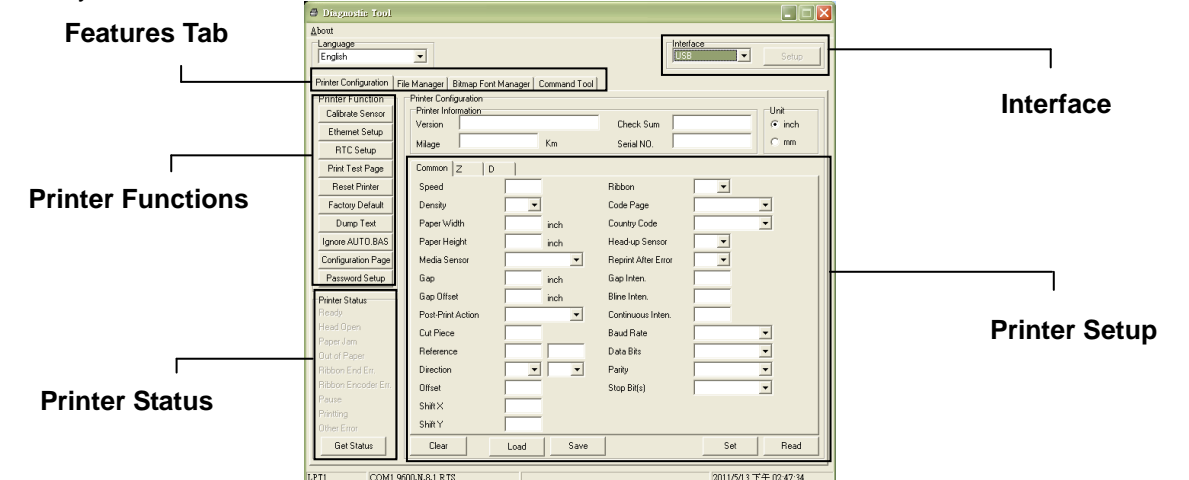
Keys	Function
	PAUSE key: Pauses or resumes printing
	FEED key: Advances one label

Diagnostic Tool

TSC's Diagnostic Utility is an integrated tool incorporating features that enable you to explore a printer's settings/status; change a printer's settings; download graphics, fonts and firmware; create a printer bitmap font; and send additional commands to a printer. With the aid of this powerful tool, you can review printer status and settings in an instant, which makes it much easier to troubleshoot problems and other issues.

Start the Diagnostic Tool:

- Double click the Diagnostic tool icon (DiagTool.exe) to start the software.
- Four features (Printer Configuration, File Manager, Bitmap Font Manager, Command Tool) are included in the Diagnostic utility.



- (3) The Printer Functions group provides the following options:

Printer Function	Function	Description
Calibrate Sensor	Calibrate Sensor	Calibrate the sensor specified in the Printer Setup group media sensor field
Ethernet Setup	Ethernet Setup	Setup the IP address, subnet mask, gateway for the on board Ethernet
RTC Setup	RTC Time	Synchronize printer Real Time Clock with PC
Print Test Page	Print Test Page	Print a test page
Reset Printer	Reset Printer	Reboot printer
Factory Default	Factory Default	Initialize the printer and restore the settings to factory default.
Dump Text	Dump Text	To activate the printer dump mode.
Ignore AUTO.BAS	Ignore AUTO.BAS	Ignore the downloaded AUTO.BAS program
Configuration Page	Configuration Page	Print printer configuration
Password Setup	Password Setup	Set the password to protect the settings