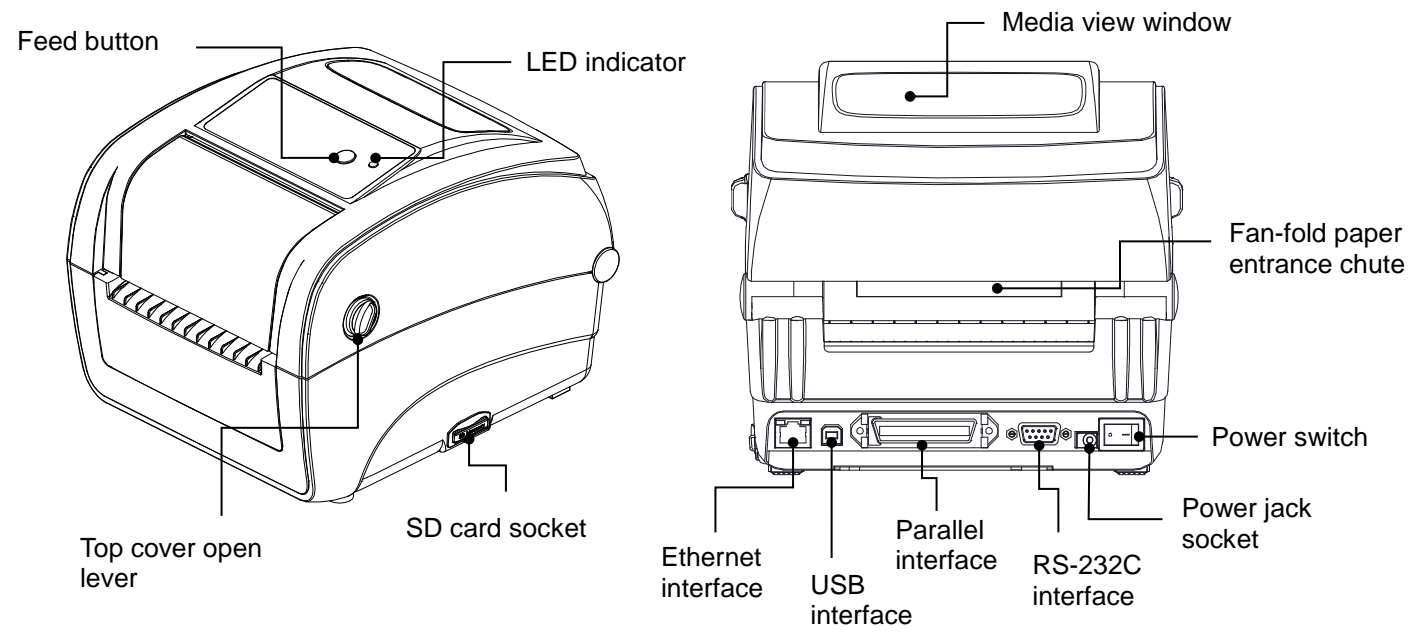


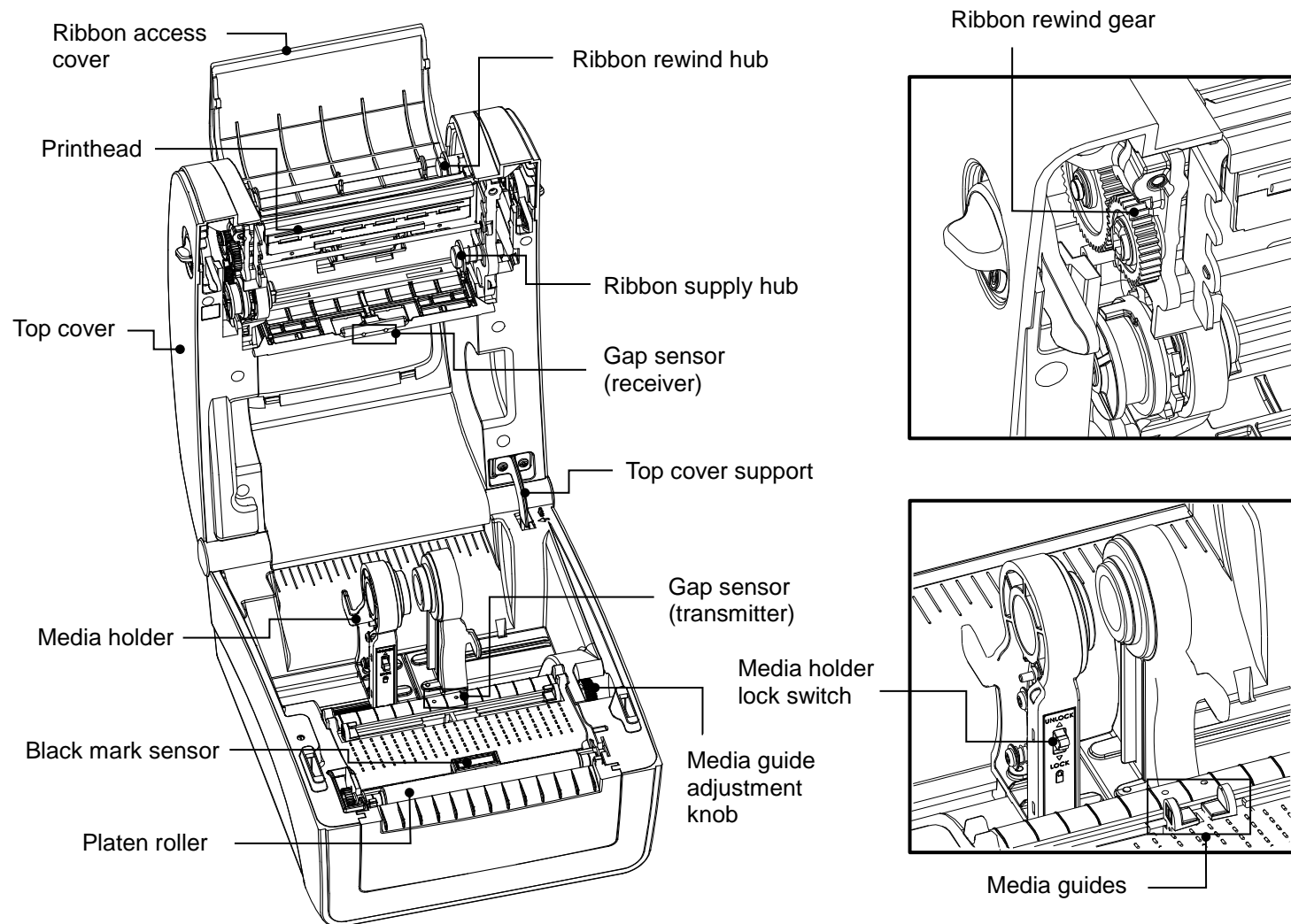
Quick Installation Guide

Printer Overview

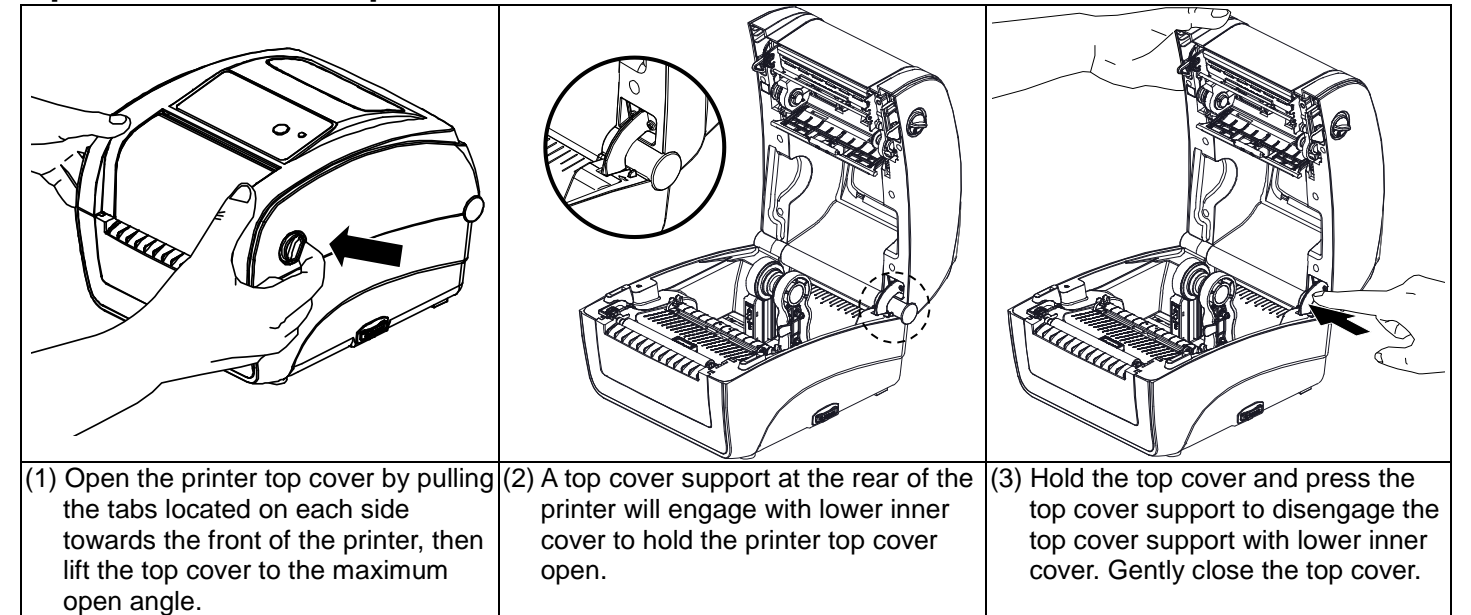


Note:

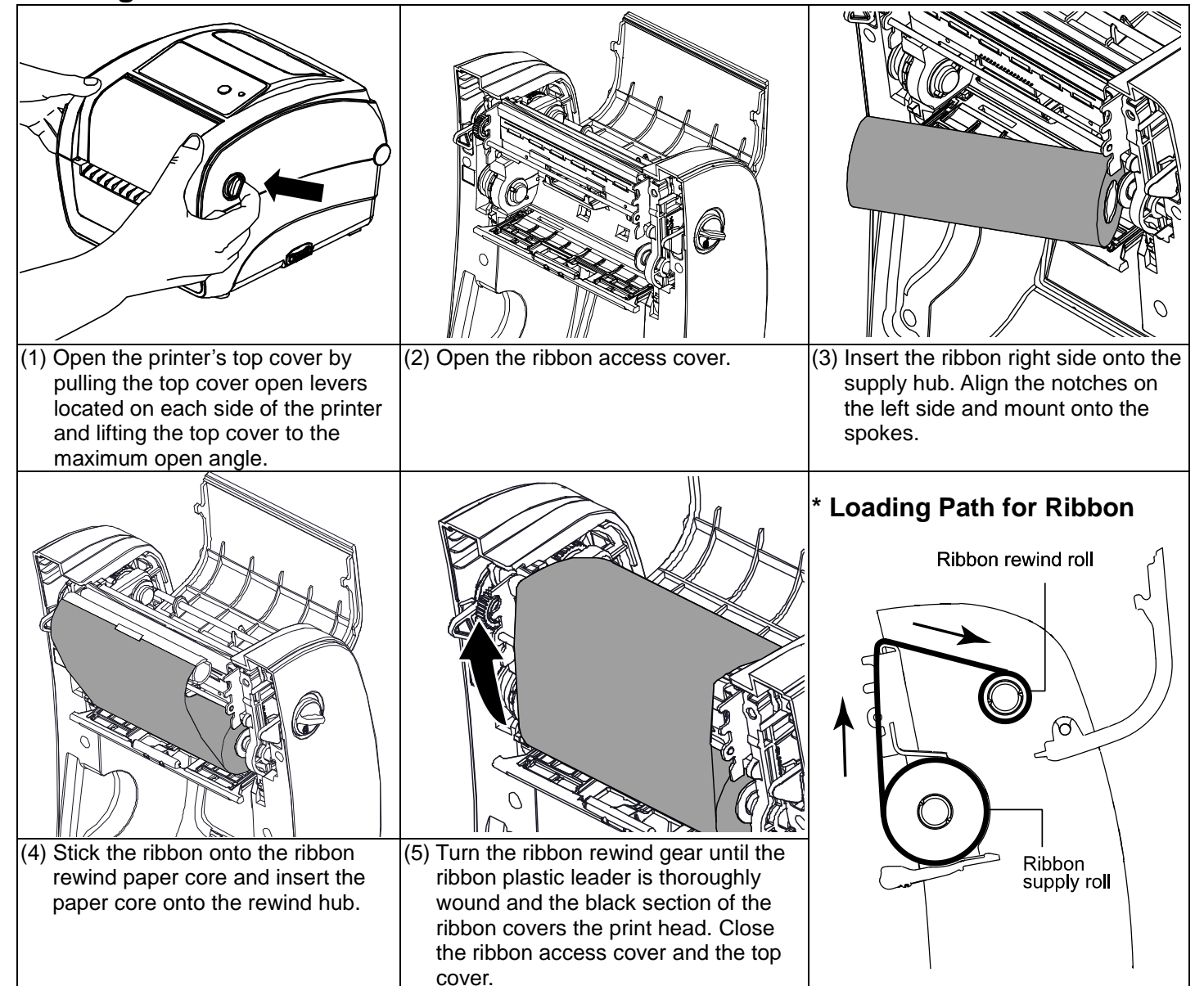
The interface picture here is for reference only. Please refer to the product specification for the interfaces availability.



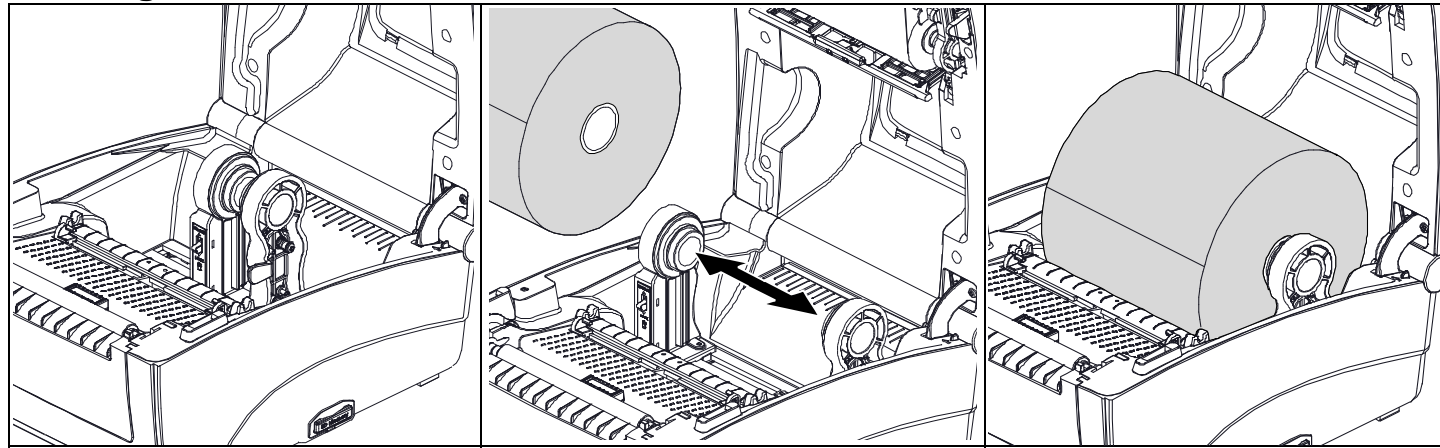
Open / Close the Top Cover



Loading the Ribbon



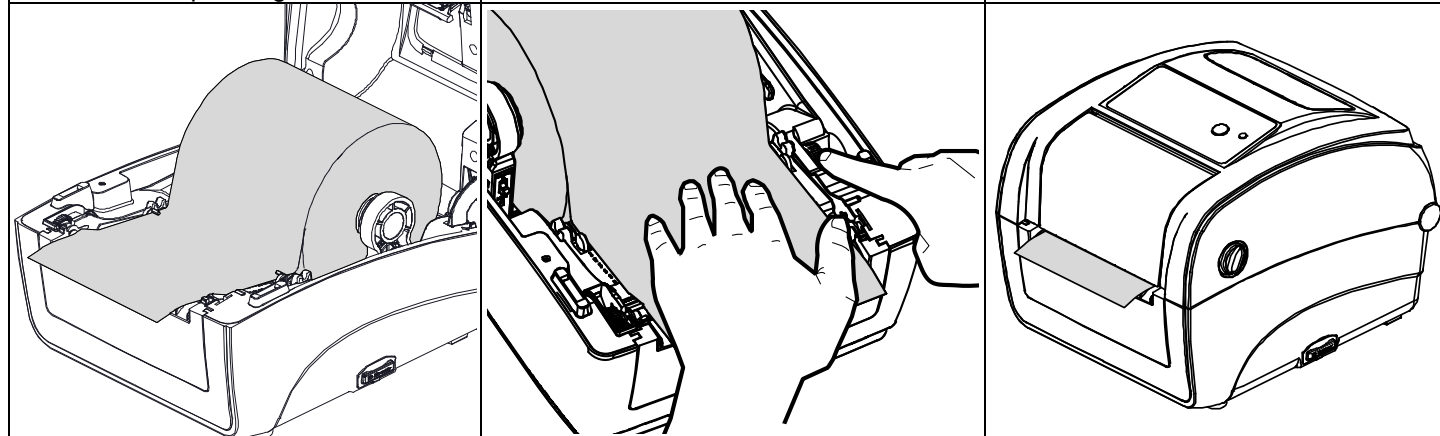
Loading the Media



(1) Open the printer top cover by pulling the tabs located on each side towards the front of the printer, then lift the top cover to the maximum open angle.

(2) Separate and hold open the media holders.

(3) Place the roll between the holders and close them onto the core. Press down the media holder lock switch to hold the label roll firmly.

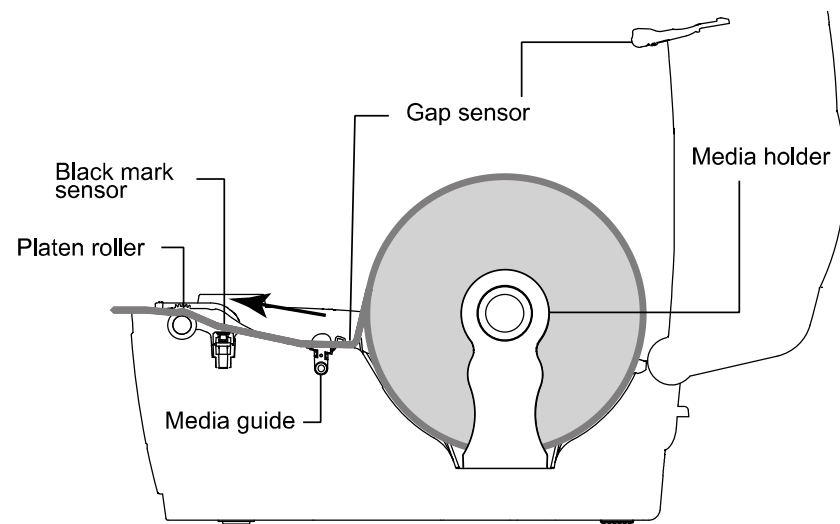


(4) Place the paper, printing side face up, through the media sensor and place the label leading edge onto the platen roller.

(5) Move the media guides to fit the label width by turning the guide adjuster knob.

(6) Disengage the top cover support and close the top cover gently.

* Loading Path for Media



(7) Use "Diagnostic Tool" to set the media sensor type and calibrate the selected sensor. (Start the "Diagnostic tool" → Select the "Printer Configuration" tab → Click the "Calibrate Sensor" button) Please refer to the diagnostic utility quick start guide for more information.

Note:
Please calibrate the gap/black mark sensor when changing the media.

Button Functions

(1) Feed labels

When the printer is ready, press the button to feed one label to the beginning of next label.


(2) Pause the printing job

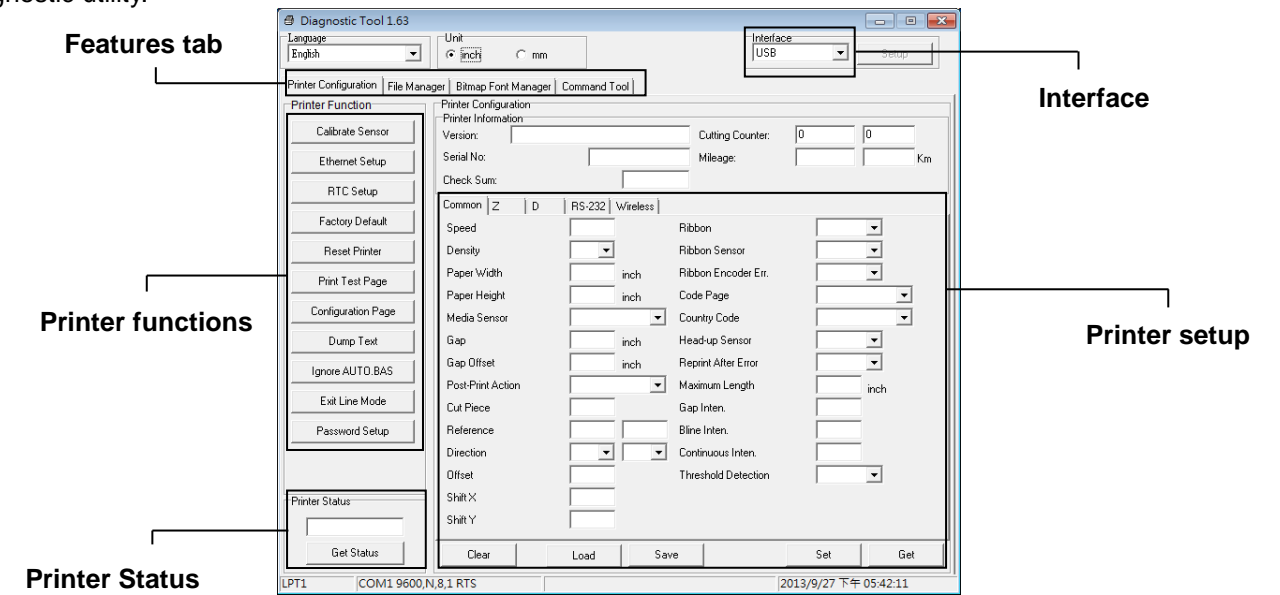
When the printer is printing, press the button to pause a print job. When the printer is paused the power LED will blink green. Press the button again to continue the printing job.

Diagnostic Tool

The Diagnostic Utility is a toolbox that allows users to explore the printer's settings and status; change printer settings; download graphics, fonts, and firmware; create printer bitmap fonts; and to send additional commands to the printer. Using this convenient tool, you can explore the printer status and settings and troubleshoot the printer.

Start the Diagnostic Tool:

- Double click on the Diagnostic tool icon  `DiagTool.exe` to start the software.
- There are four features (Printer Configuration, File Manager, Bitmap Font Manager, Command Tool) included in the Diagnostic utility.



(3) The detail functions in the Printer Function Group are listed as below.

Printer Function	Function	Description
Calibrate Sensor	Calibrate Sensor	Calibrate the sensor specified in the Printer Setup group media sensor field
Ethernet Setup	Ethernet Setup	Setup the IP address, subnet mask, gateway for the on board Ethernet
RTC Setup	RTC Setup	Synchronize printer Real Time Clock with PC
Factory Default	Factory Default	Initialize the printer and restore the settings to factory default
Reset Printer	Reset Printer	Reboot printer
Print Test Page	Print Test Page	Print a test page
Configuration Page	Configuration Page	Print printer configuration
Dump Text	Dump Text	To activate the printer dump mode
Ignore AUTO.BAS	Ignore AUTO.BAS	Ignore the downloaded AUTO.BAS program
Exit Line Mode	Exit Line Mode	Exit line mode
Password Setup	Password Setup	Set the password to protect the settings

* For more information and features about this printer, please refer to the User's Manual inside the CD disk.
* Specifications, accessories, parts and programs are subject to change without notice.