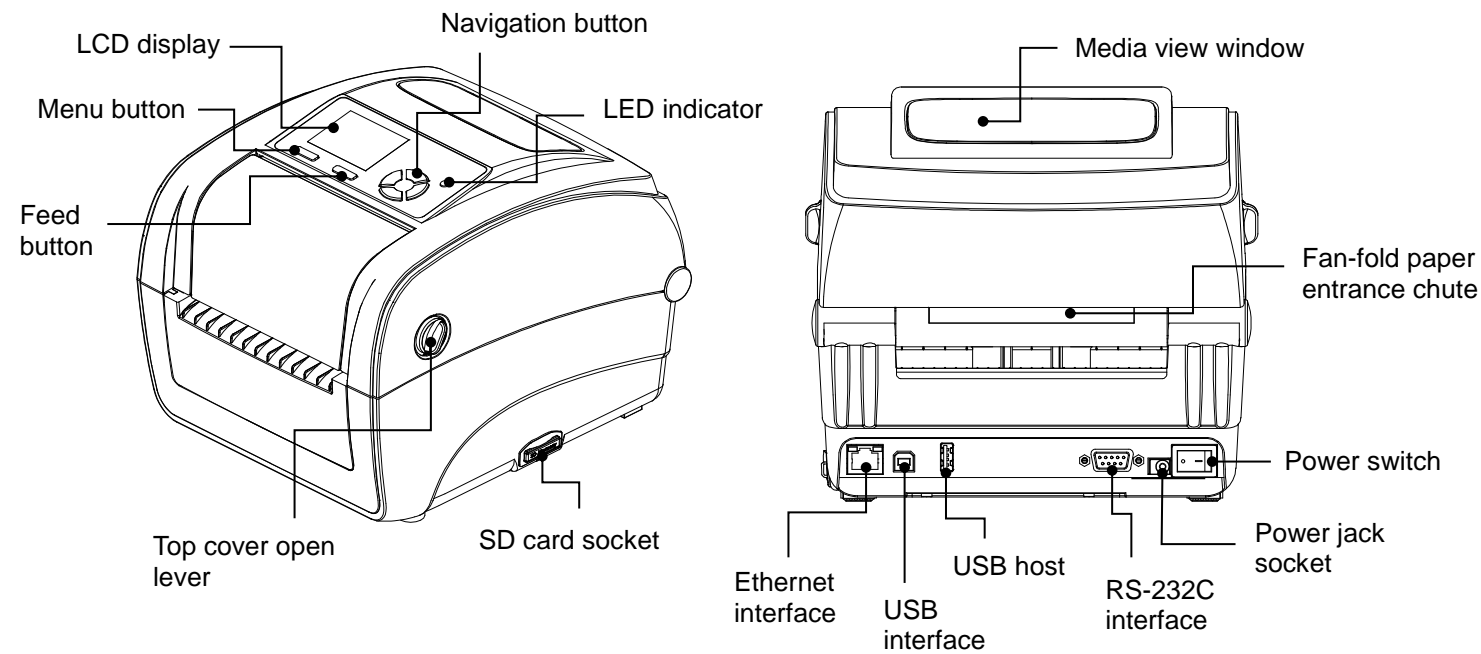
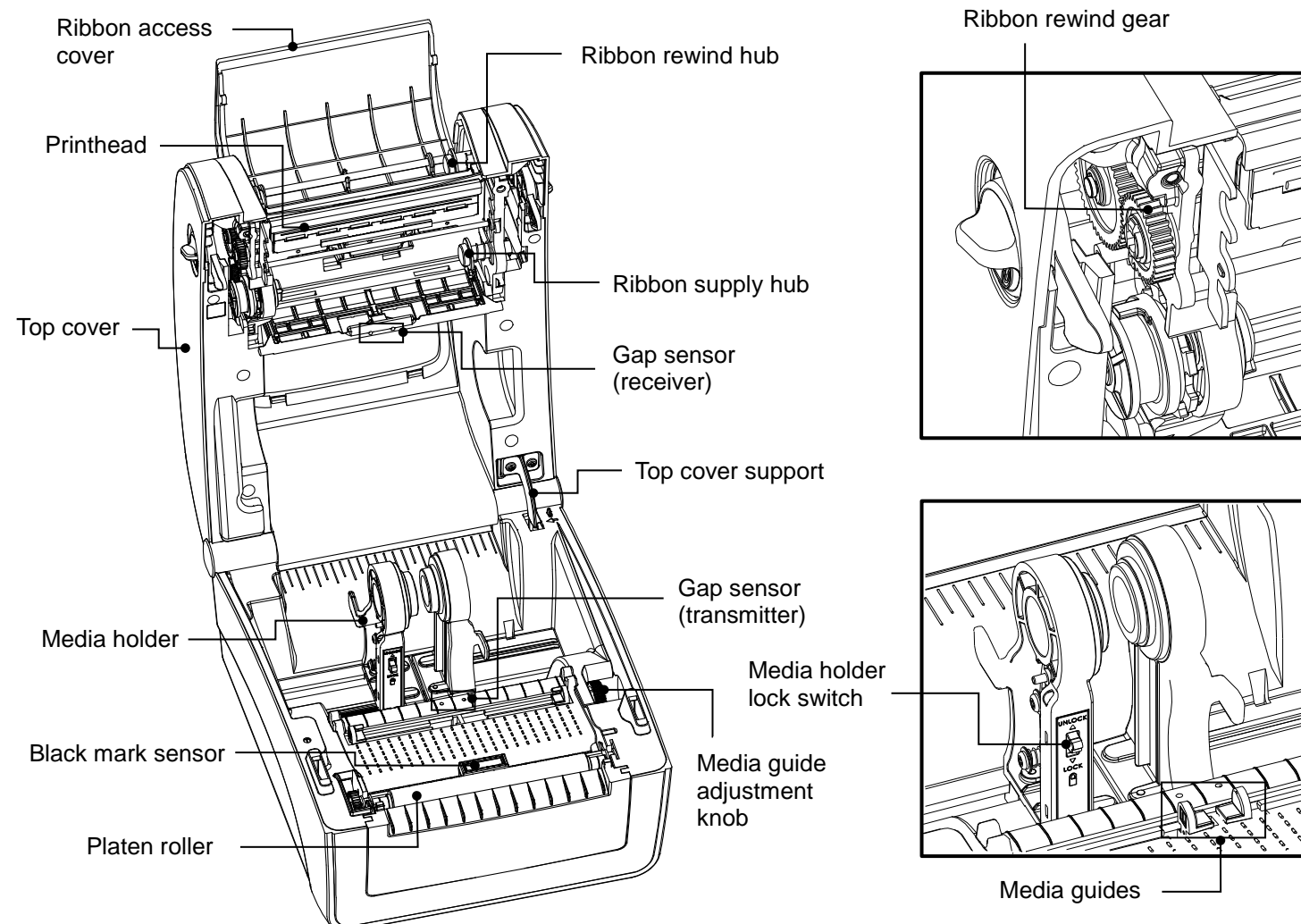


Quick Installation Guide

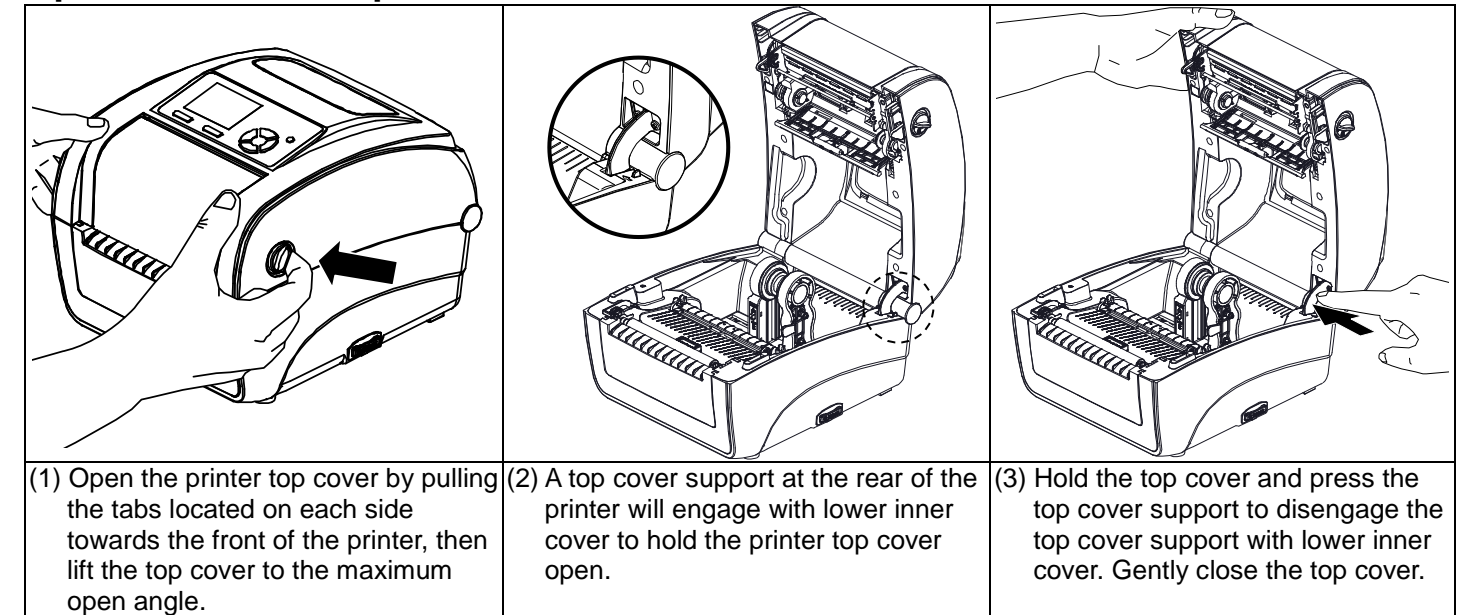
Printer Overview



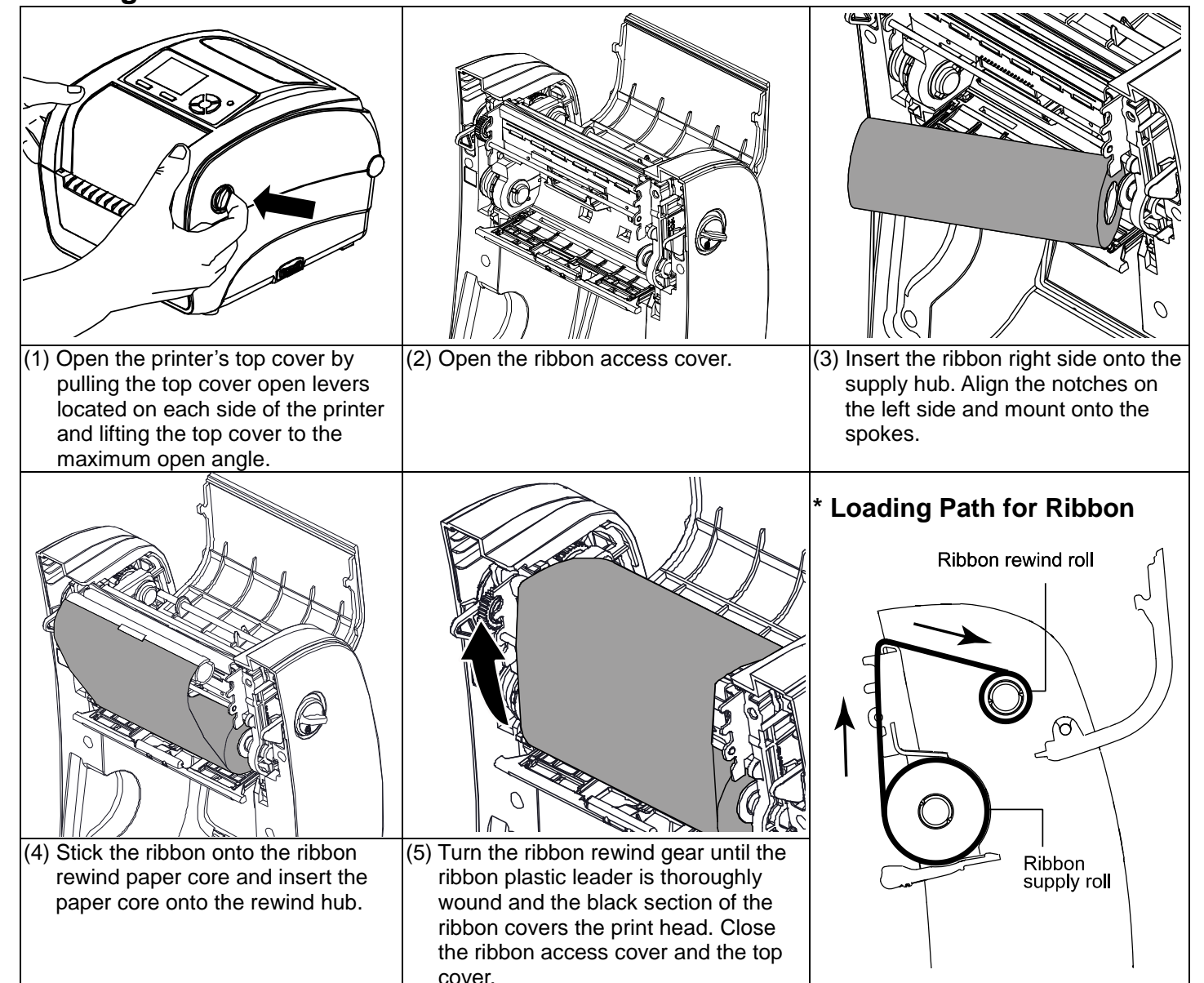
Note:
The interface picture here is for reference only. Please refer to the product specification for the interfaces availability.



Open / Close the Top Cover



Loading the Ribbon



Loading the Media

(1) Open the printer top cover by pulling the tabs located on each side towards the front of the printer, then lift the top cover to the maximum open angle.

(2) Separate and hold open the media holders.

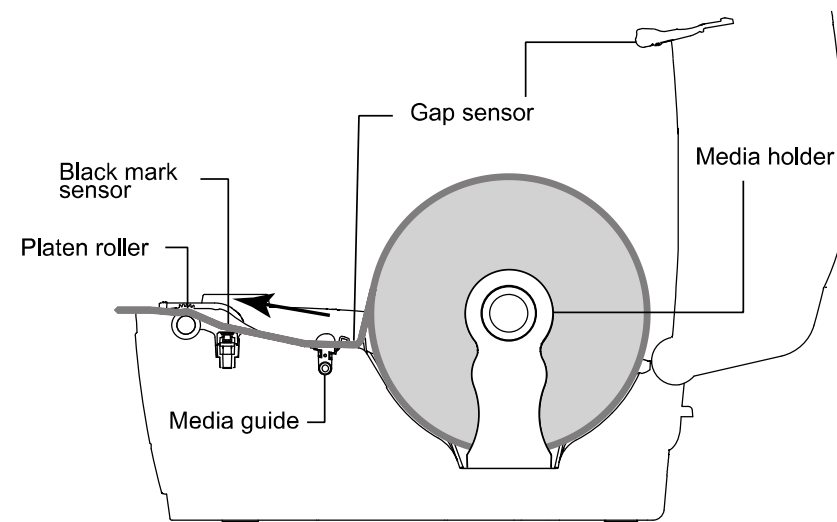
(3) Place the roll between the holders and close them onto the core. Press down the media holder lock switch to hold the label roll firmly.

(4) Place the paper, printing side face up, through the media sensor and place the label leading edge onto the platen roller.

(5) Move the media guides to fit the label width by turning the guide adjuster knob.

(6) Disengage the top cover support and close the top cover gently.

* Loading Path for Media



(7) Use "Menu" button or "Diagnostic Tool" to set the media sensor type and calibrate the selected sensor. (Start the "Diagnostic tool" → Select the "Printer Configuration" tab → Click the "Calibrate Sensor" button) Please refer to the diagnostic utility quick start guide for more information.

Note:
Please calibrate the gap/black mark sensor when changing the media.


Button Functions

- **Feed button**
 - Feed one label when the printer on ready mode
 - Pause/Resume the printing process
 - Press the button to enter/select cursor located item from a menu
- **Menu button**
 - Enter the menu
 - Exit from a menu or cancel a setting and return to the previous menu
- **Navigation button**
 - Scroll the menu list

Diagnostic Tool

The Diagnostic Utility is a toolbox that allows users to explore the printer's settings and status; change printer settings; download graphics, fonts, and firmware; create printer bitmap fonts; and to send additional commands to the printer. Using this convenient tool, you can explore the printer status and settings and troubleshoot the printer.

Start the Diagnostic Tool:

- (1) Double click on the Diagnostic tool icon  `DiagTool.exe` to start the software.
- (2) There are four features (Printer Configuration, File Manager, Bitmap Font Manager, Command Tool) included in the Diagnostic utility.

(3) The detail functions in the Printer Function Group are listed as below.

| Printer Function | Function | Description |
|--------------------|--------------------|--|
| Calibrate Sensor | Calibrate Sensor | Calibrate the sensor specified in the Printer Setup group media sensor field |
| Ethernet Setup | Ethernet Setup | Setup the IP address, subnet mask, gateway for the on board Ethernet |
| RTC Setup | RTC Setup | Synchronize printer Real Time Clock with PC |
| Factory Default | Factory Default | Initialize the printer and restore the settings to factory default |
| Reset Printer | Reset Printer | Reboot printer |
| Print Test Page | Print Test Page | Print a test page |
| Configuration Page | Configuration Page | Print printer configuration |
| Dump Text | Dump Text | To activate the printer dump mode |
| Ignore AUTO.BAS | Ignore AUTO.BAS | Ignore the downloaded AUTO.BAS program |
| Exit Line Mode | Exit Line Mode | Exit line mode |
| Password Setup | Password Setup | Set the password to protect the settings |

* For more information and features about this printer, please refer to the User's Manual inside the CD disk.
* Specifications, accessories, parts and programs are subject to change without notice.