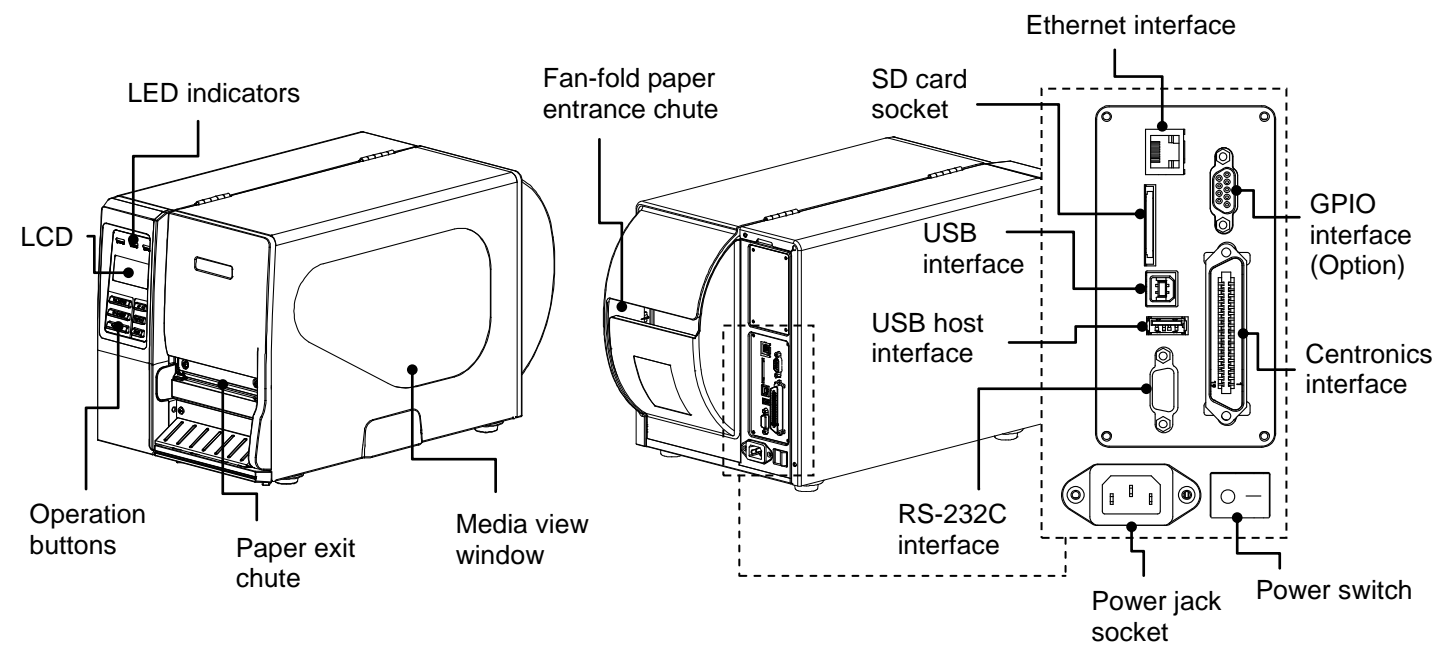
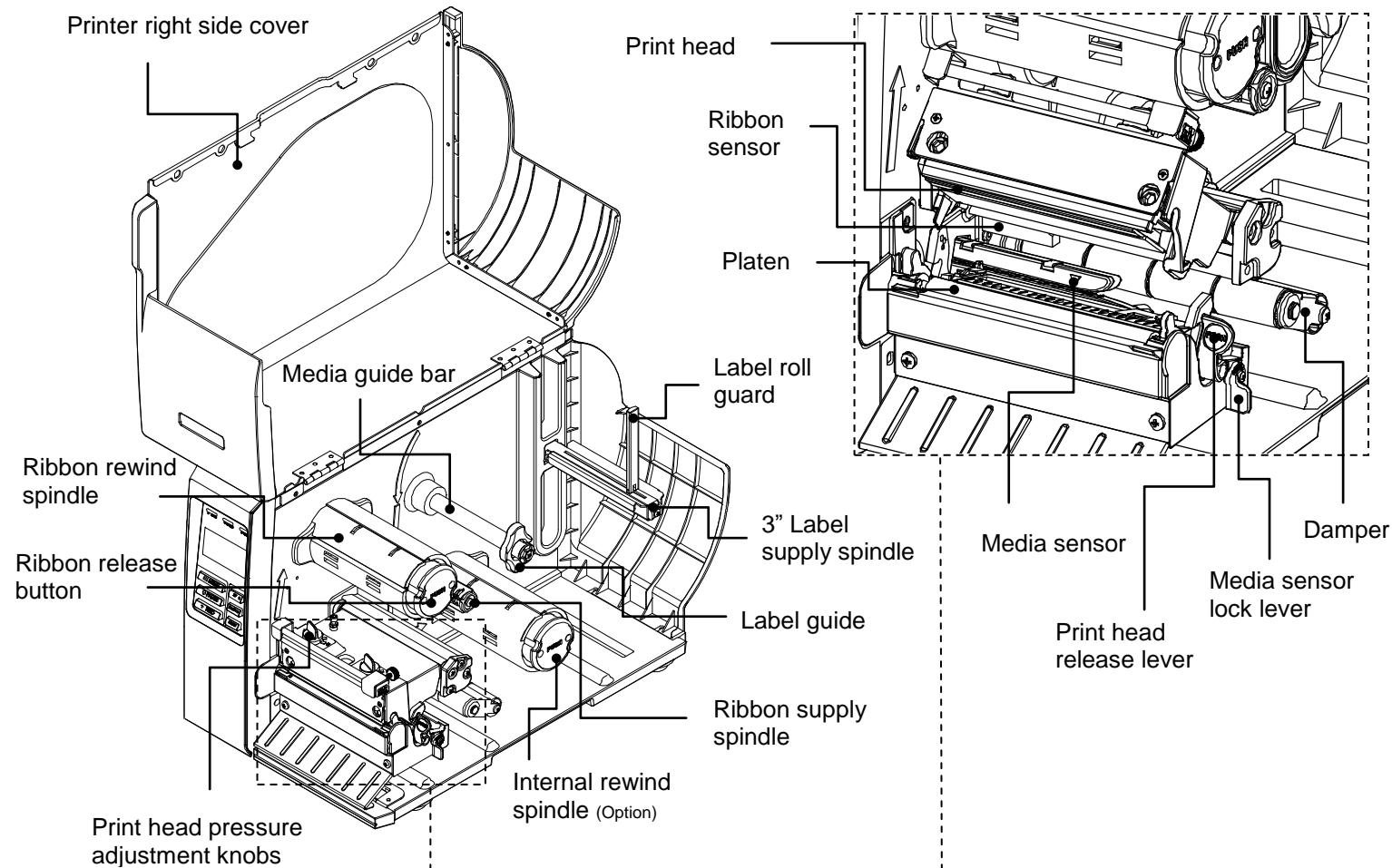


# Quick Installation Guide

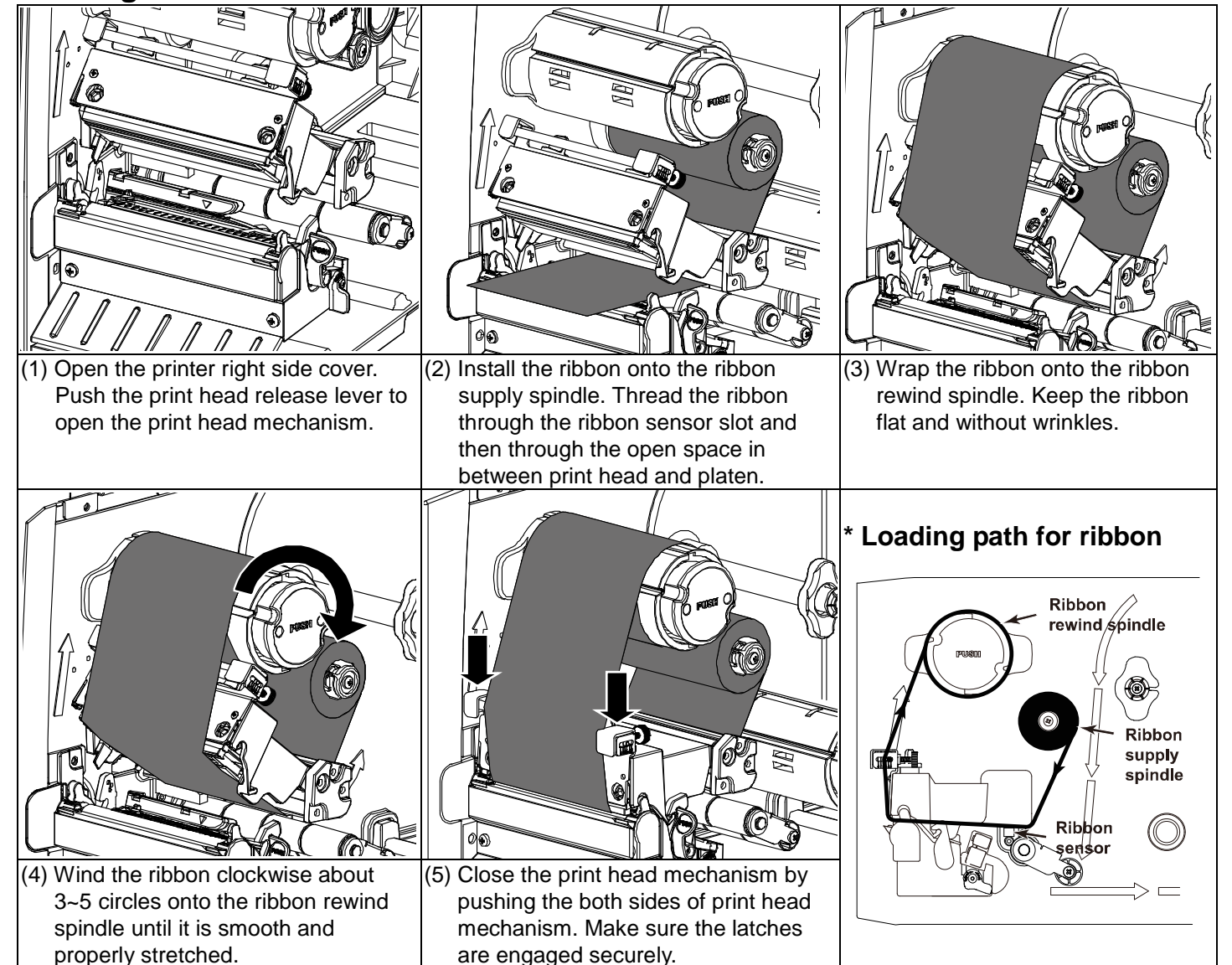
## Printer Overview



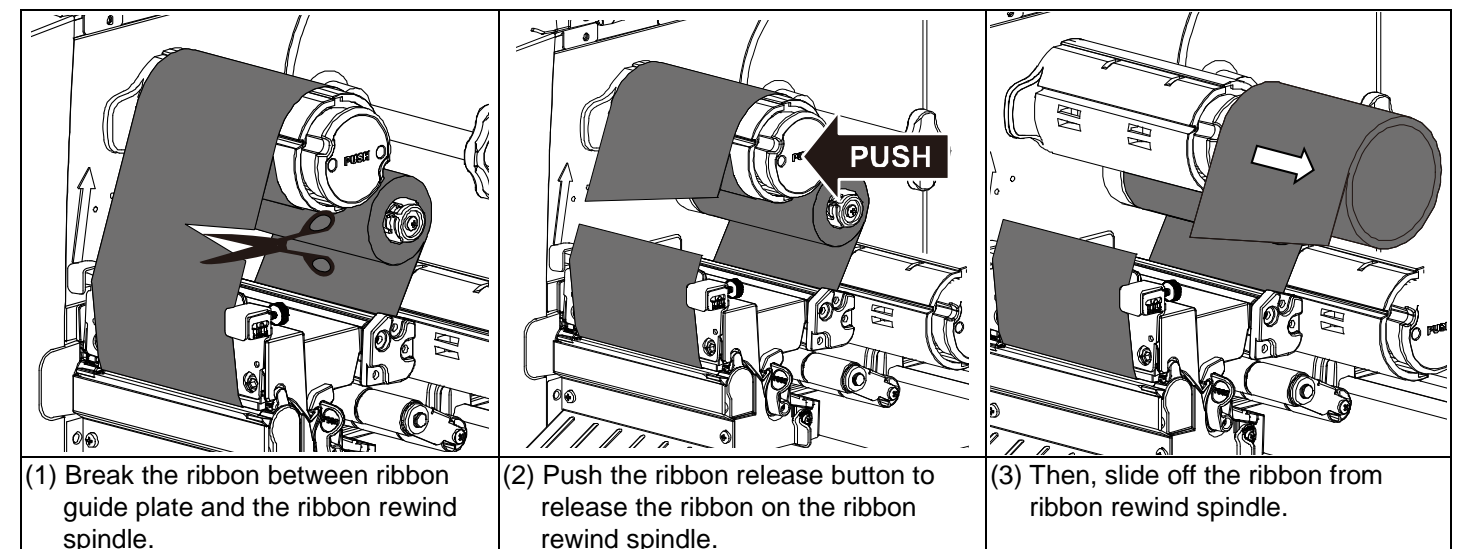
**Note: The interface picture here is for reference only. Please refer to the product specification for the interfaces availability.**



## Loading the Ribbon



## Remove Used Ribbon



## Loading the Media

(1) Move the label roll guard horizontally to the end of label spindle then flip down the label roll guard.

(2) Place the roll of media on the label supply spindle. Flip up the label roll guard. Move the label roll guard horizontally to gently fit the width of label roll.

(3) Pull label roll leading edge forward through the media guide bar, damper, media sensor and place the label leading edge onto the platen roller.

(4) Adjust the label guides to fit the width of the label.

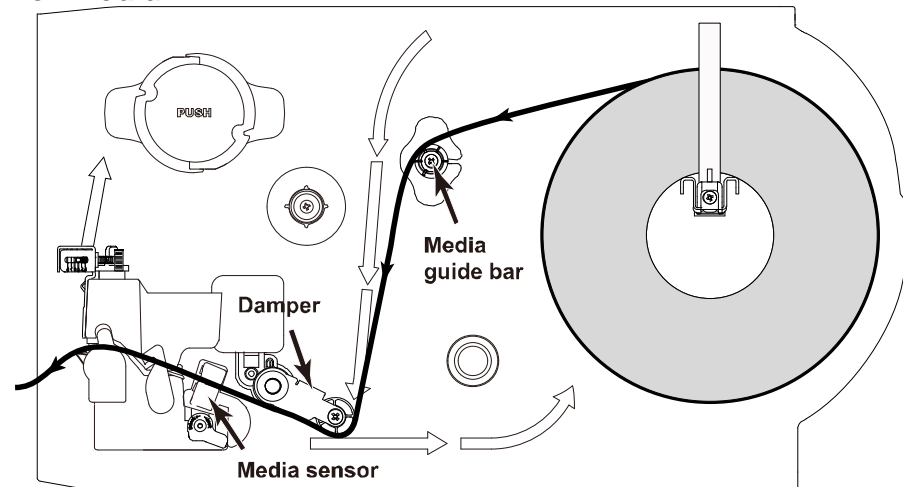
(5) Unlock the media sensor lock lever to adjust the media sensor position and lock the media sensor lock lever. (see note below)

(6) Close the print head mechanism by pushing the both sides of print head mechanism. Make sure the latches are engaged securely.

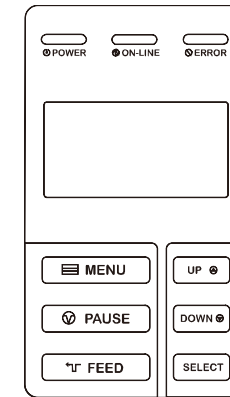
(7) Using the front display panel to set the media sensor type and calibrate the selected sensor. (See "Media Sensor Calibration" in the box on the right side of this page)

**Note: Re-calibrate the gap/black-mark sensors when changing media. The sensor location is marked by a triangle mark ▽ at the sensor housing. Please make sure the gap or black mark is at the location where media gap/black mark will pass through for sensing.**

### \* Loading path for media



## Control Panel



LED	Status	Indication
POWER	Off	Printer power off
	On	Printer power on
ON-LINE	On	Printer is ready
	Blinking	Printer is paused Printer is downloading data
ERROR	Off	Printer is ready
	On	Carriage open or cutter error
	Blinking	No paper, paper jam or no ribbon

Keys	Function
FEED	Advances one label
PAUSE	Pause/Resume the printing process
MENU	1. Enter the menu 2. Exit from a menu or cancel a setting and return to the previous menu
SELECT	Enter/Select cursor located option
UP	Scroll up the menu list
DOWN	Scroll down the menu list

## Media Sensor Calibration

The media sensor should be calibrated whenever changing the label media or after printer initialization. Please follow the steps below to calibrate the media sensor.

### Method 1 :

1. Make sure the media has been loaded properly as described above.
2. Press the **MENU** button to enter the main menu.
3. Press **UP** and **DOWN** buttons to select the "Setup" option and press **SELECT** button to enter this option. And enter the "Sensor" option.
4. When enter this option, the sensor type in the right side of ">" icon is the current sensor setting. Press the **UP** and **DOWN** to select the sensor type, and press the **SELECT** button to calibrate the media sensor.

### Method 2 :

1. Make sure the media has been loaded properly as described above.
2. Turn off the printer power.
3. Hold down the **PAUSE** button and turn on the printer power.
4. Do not release the buttons until printer LCD shows "Calibrating...".

## Printer Initialization

Printer Initialization will restore printer settings to defaults. Please follow the steps below to initialize the printer.

### Method 1 :

1. Press the **MENU** button to enter the main menu.
2. Press **UP** and **DOWN** buttons to select the "Service" option and press **SELECT** button to enter this option.
3. Press **UP** and **DOWN** buttons to scroll the cursor to "Initialization" option and press **SELECT** button to restore printer settings to defaults.

### Method 2 :

1. Turn off the printer power.
2. Press/hold **PAUSE** and **FEED** buttons at the same time then turns on the printer's power.
3. Do not release the buttons until printer LCD shows "Initializing...".

## Printer Self-Test

Self-test printout is used to check if there is any heater element damaged on the print head and shows current printer configurations. Please follow the steps as below to perform printer self-test.

1. Install the ribbon and the label media.
2. Press the **MENU** button to enter the main menu.
3. Press **UP** and **DOWN** buttons to scroll the cursor to the "Diagnostics" option and press **SELECT** button to enter this option.
4. Press **UP** and **DOWN** buttons to scroll the cursor to the "Print Config." option and press **SELECT** button to execute this option.

Note: The 4" wide media is required for printing the printer configurations.

\* For more information and features about this printer, please refer to the User's Manual inside the CD disk.