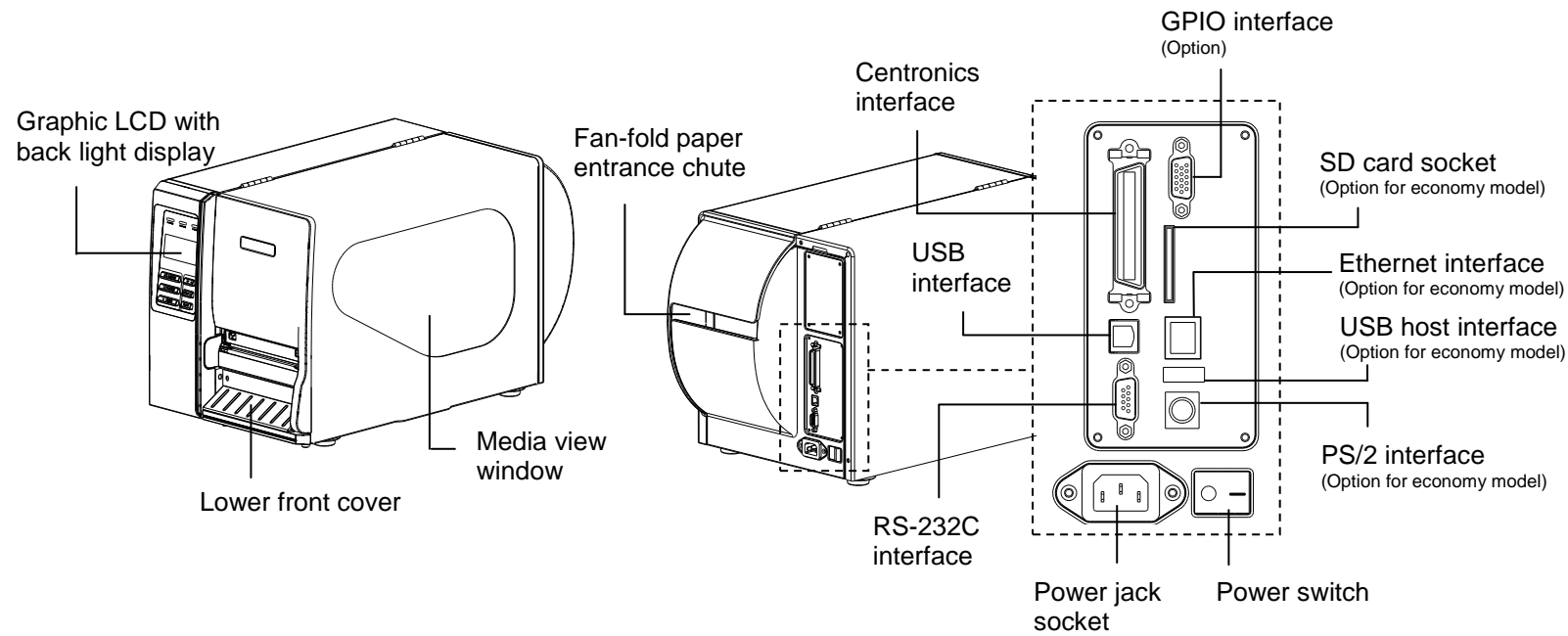
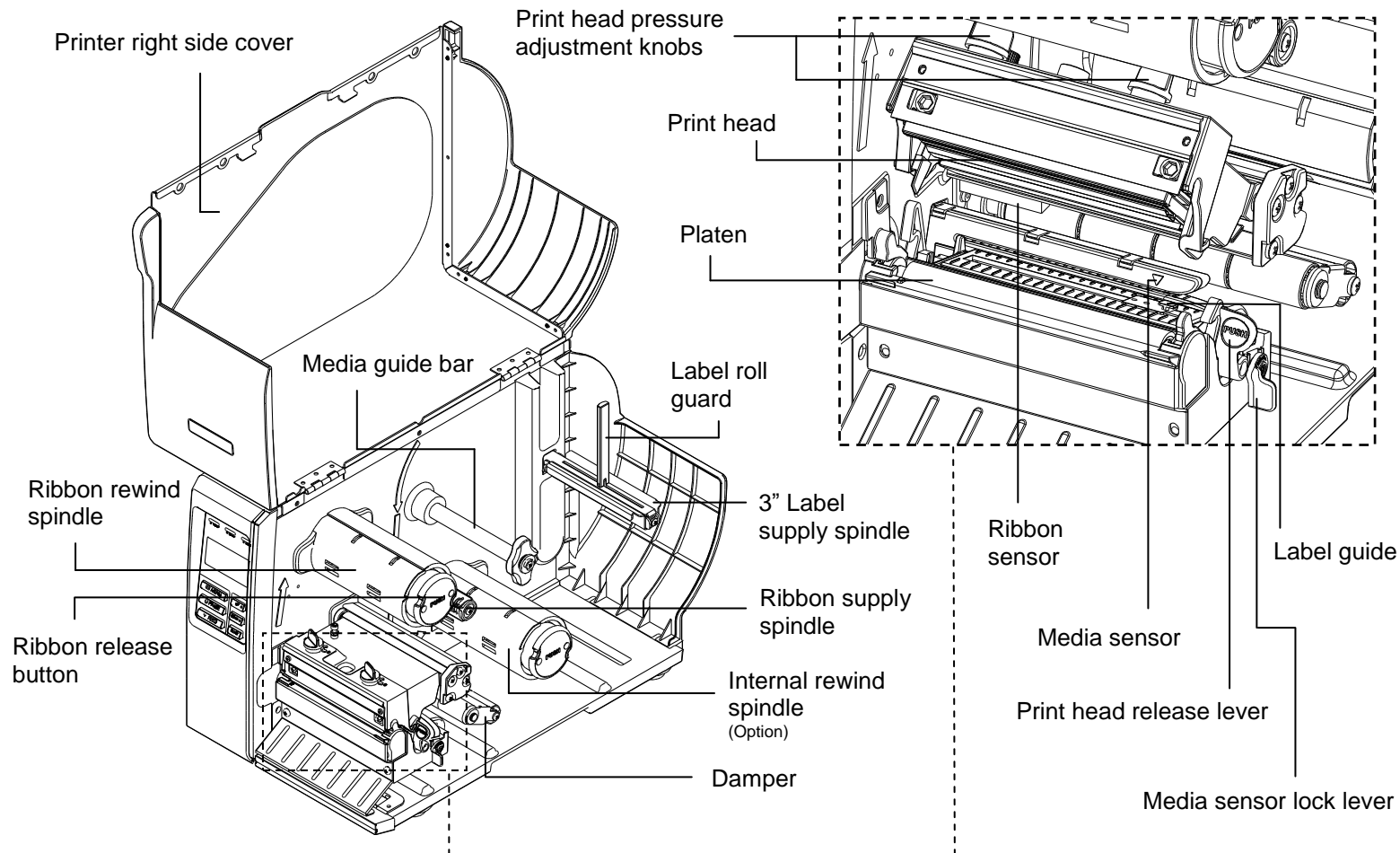


Quick Installation Guide

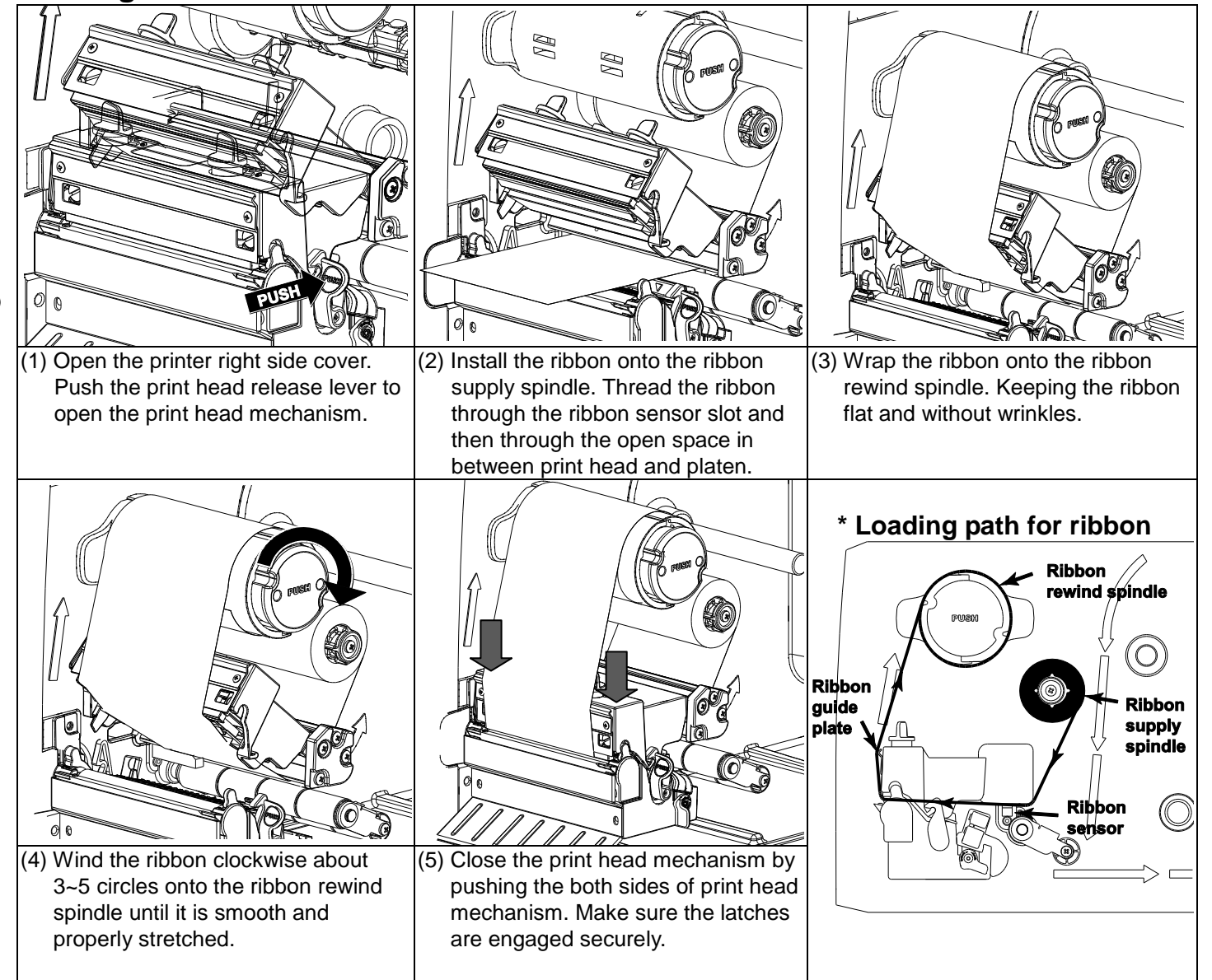
Printer Overview



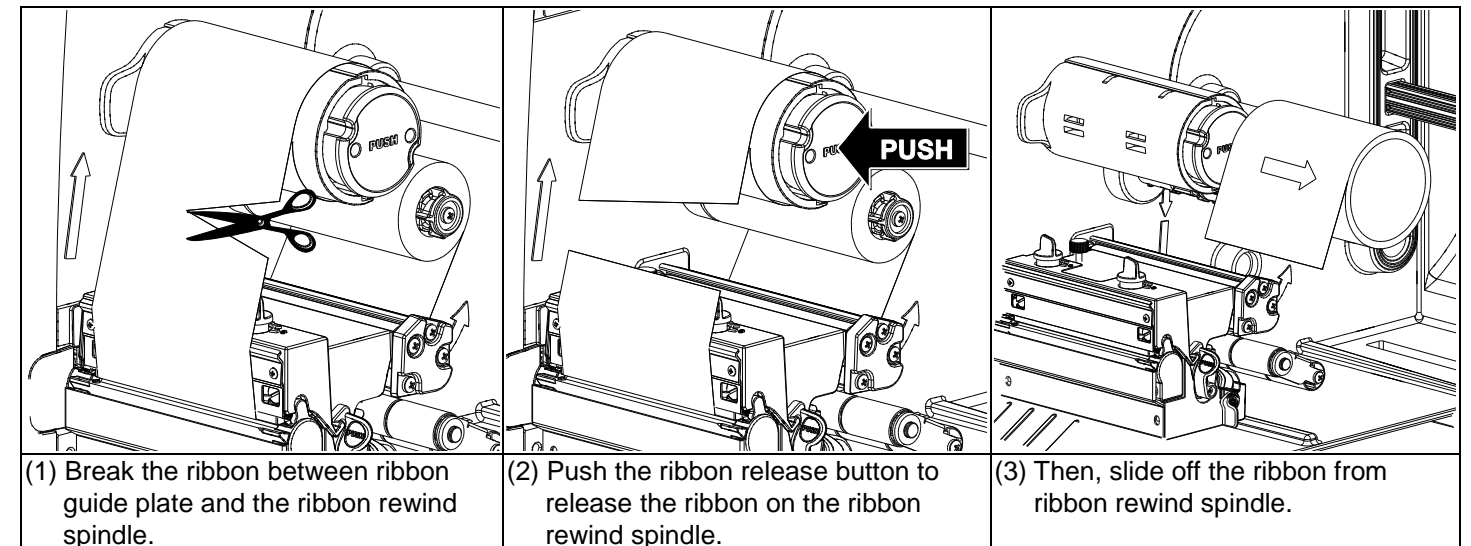
Note: The interface picture here is for reference only. Please refer to the product specification for the interfaces availability.



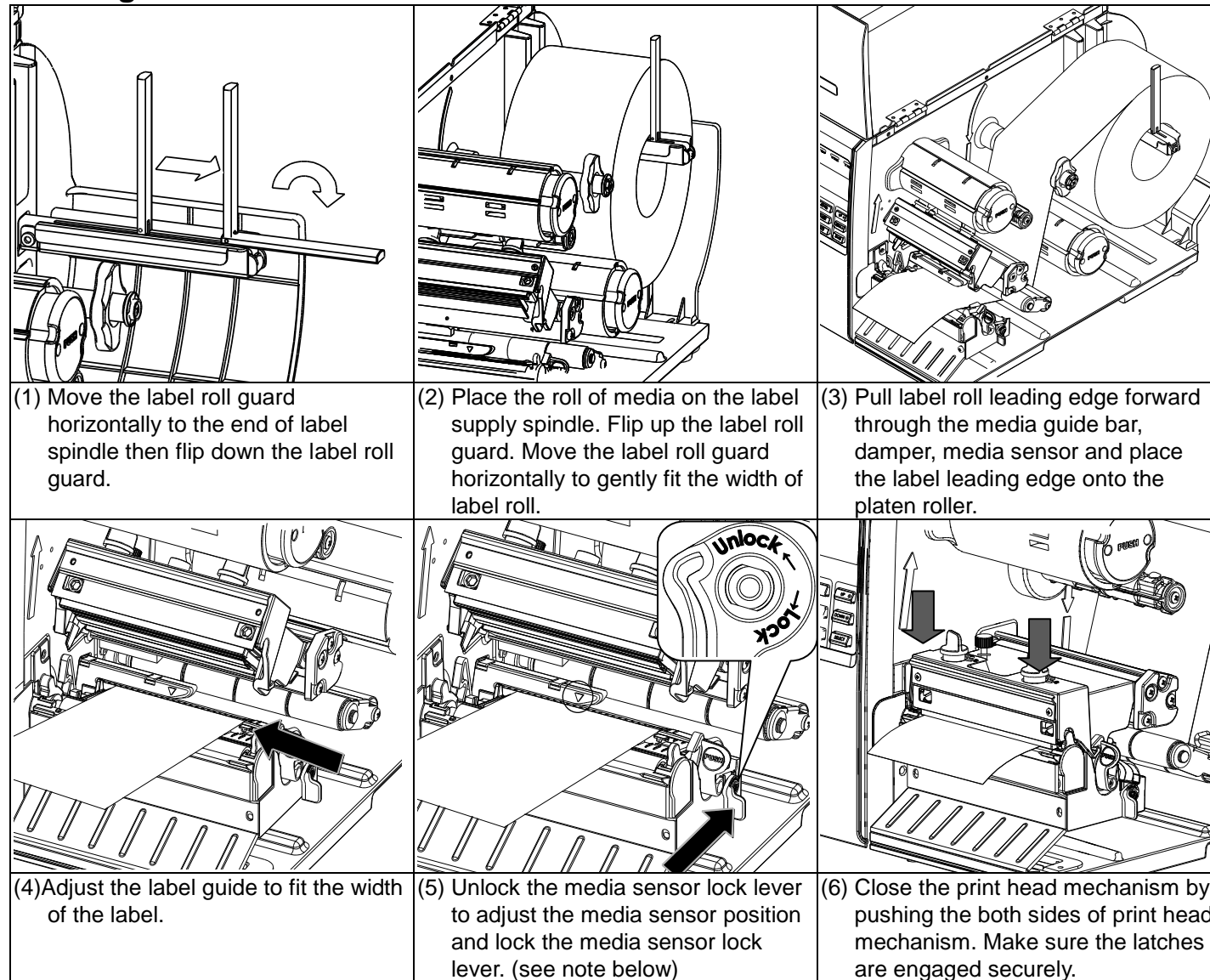
Loading the Ribbon



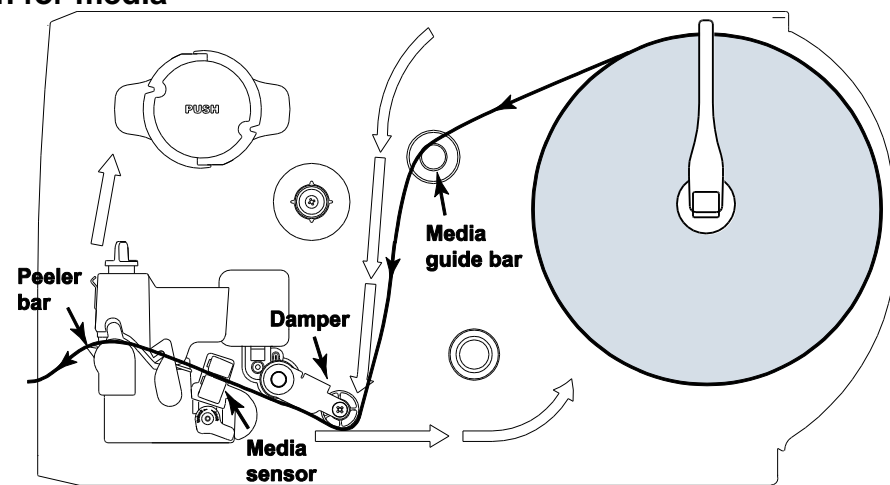
Remove Used Ribbon



Loading the Media



* Loading path for media

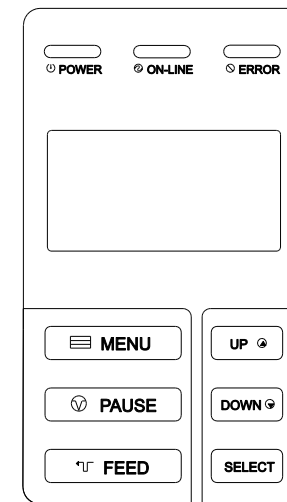


(7) Using the front display panel, set the media sensor type and calibrate the selected sensor. (See "Media Sensor Calibration" in the box on the right side of this page)

Note: Re-calibrate the gap/black-mark sensors when changing media. The sensor location is marked by a triangle mark ▽ at the sensor housing. Please make sure the gap or black mark is at the location where media gap/black mark will pass through for sensing.

* For more information and features about this printer, please refer to the User's Manual inside the CD disk.

Control Panel



LED	Status	Indication	Keys	Function
POWER	Off	The printer power is turned off	MENU	1. Enter the menu 2. Exit from a menu or cancel a setting and return to the previous menu
	On	The printer power is turned on		
ON-LINE	On	Printer is ready	PAUSE	Pause/Resume the printing process
	Blinking	Pause Downloading data into printer	FEED	Advance one label
ERROR	Off	Printer is ready	UP	Scroll up the menu list
	On	"CARRIAGE OPEN" or "CUTTER ERROR"	DOWN	Scroll down the menu list
	Blinking	"NO PAPER", "PAPER JAM" or "NO RIBBON"	SELECT	Enter/Select cursor located option

Media Sensor Calibration

This utility is used to calibrate the sensitivity of the media sensor. The media sensor should be calibrated whenever changing the label media or after printer initialization.

Please follow the steps below to calibrate the media sensor.

Method 1 :

1. Make sure the ribbon and label media are installed properly as described above.
2. Press the **MENU** button to enter the main menu.
3. Press **UP** and **DOWN** buttons to select the "Setup" option and press **SELECT** button to enter this option. And enter the "Sensor" option.
4. When enter this option, the sensor type in the right side of ">" icon is the current sensor setting. Press the **UP** and **DOWN** to select the sensor type, and press the **SELECT** button to calibrate the media sensor.

Method 2 :

1. Make sure the ribbon and label media are installed properly as described above.
2. Turn off the printer power.
3. Hold down the **PAUSE** button and turn on the printer power.
4. Do not release the buttons until printer LCD shows "Calibrating...".

Printer Initialization

Printer Initialization will restore printer settings to defaults.

Please follow the steps below to initialize the printer.

Method 1 :

1. Press the **MENU** button to enter the main menu.
2. Press **UP** and **DOWN** buttons to select the "Service" option and press **SELECT** button to enter this option.
3. And press **UP** and **DOWN** buttons to scroll the cursor to "Initialization" option and press **SELECT** button to restore printer settings to defaults.

Method 2 :

1. Turn off the printer power.
2. Press and hold **PAUSE** and **FEED** button at the same time then turns on the printer's power.
3. Do not release the buttons until printer LCD shows "Initializing...".

Printer Self-test

Self-test printout is used to check if there is any heater element damaged on the print head and shows current printer configurations.

Please follow the steps as below to perform printer self-test.

1. Install the ribbon and the label media.
2. Press the **MENU** button to enter the main menu.
3. Press **UP** and **DOWN** buttons to scroll the cursor to the "Diagnostics" option and press **SELECT** button to enter this option.
4. And press **UP** and **DOWN** buttons to scroll the cursor to the "Print Config." option and press **SELECT** button to execute this option.

Note: The 4" wide media is required for printing the printer configurations.