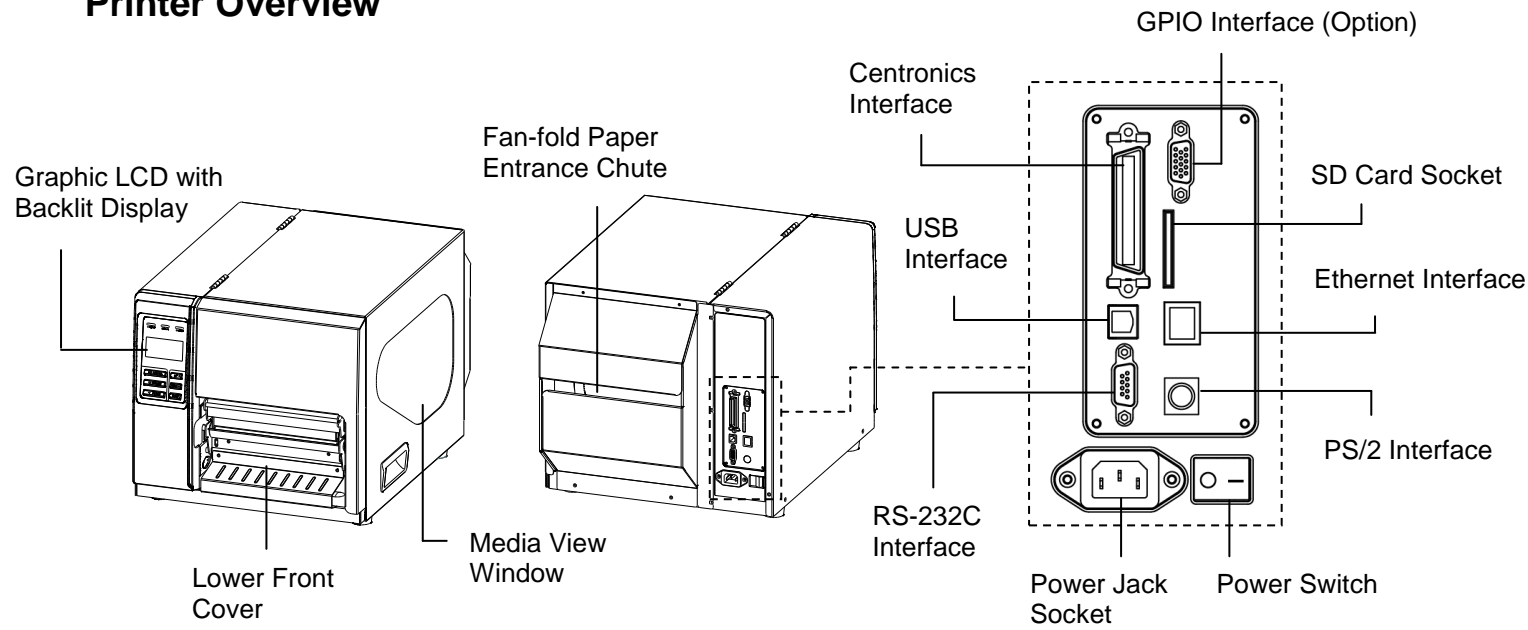
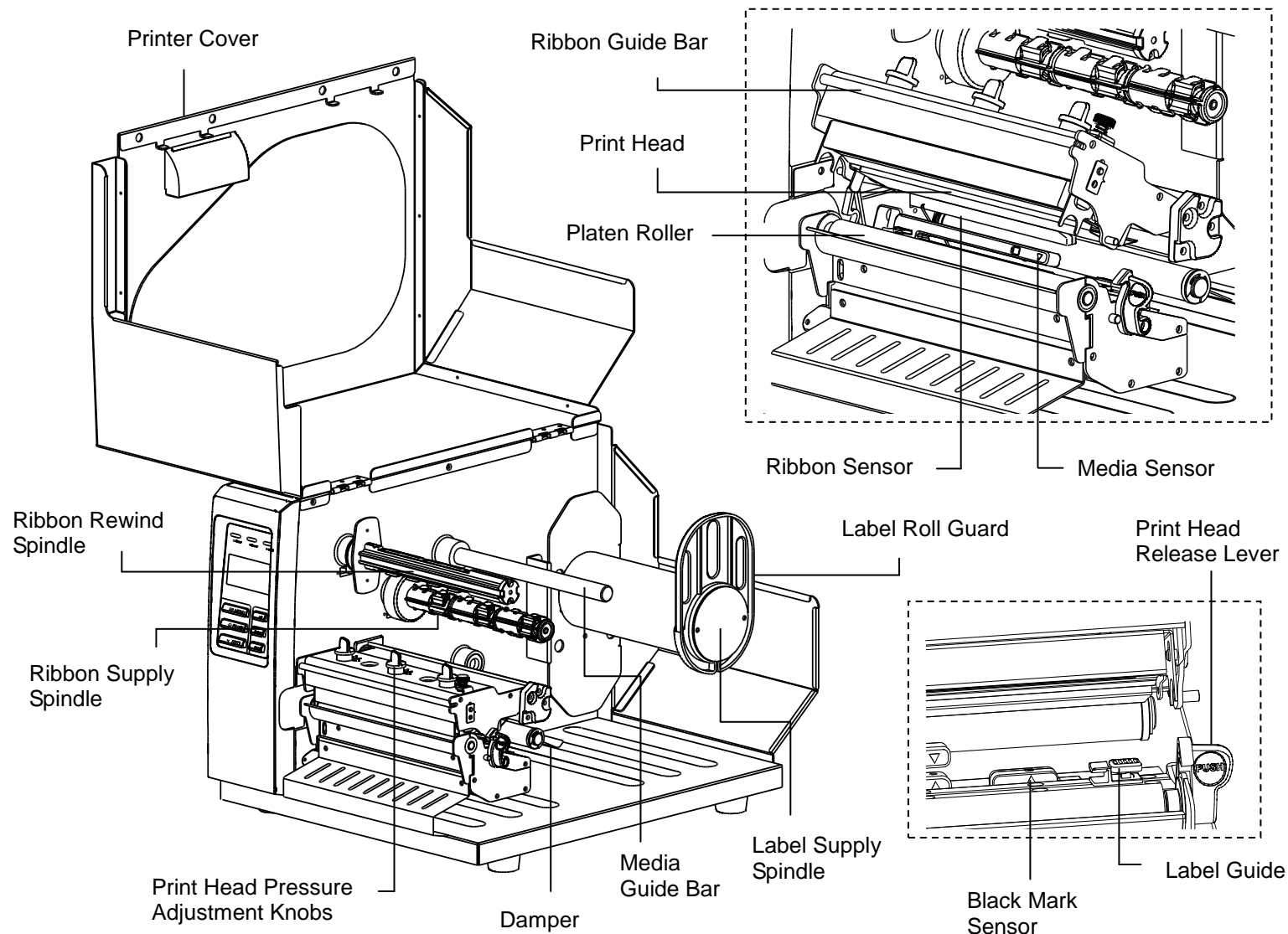


# Quick Installation Guide

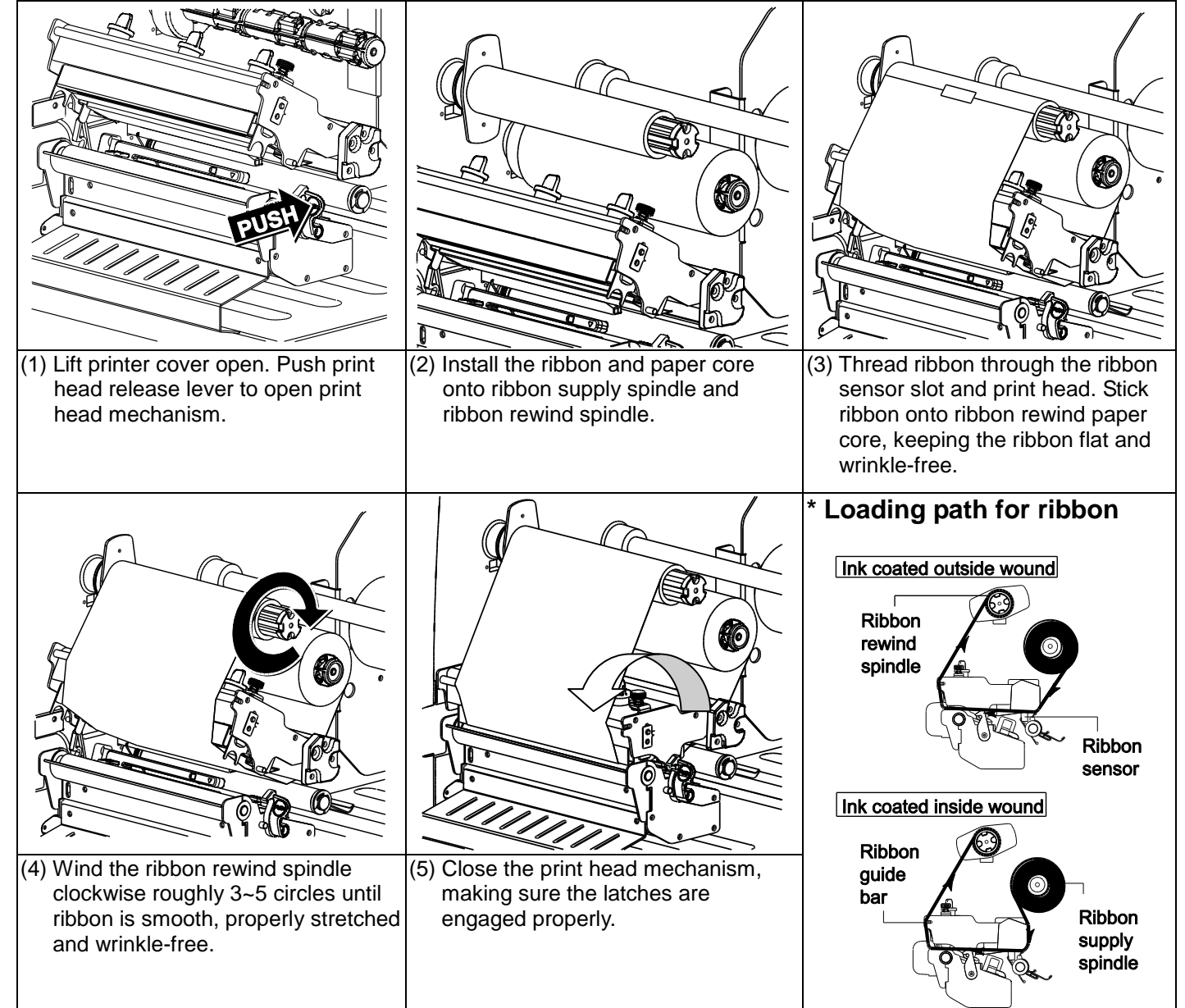
## Printer Overview



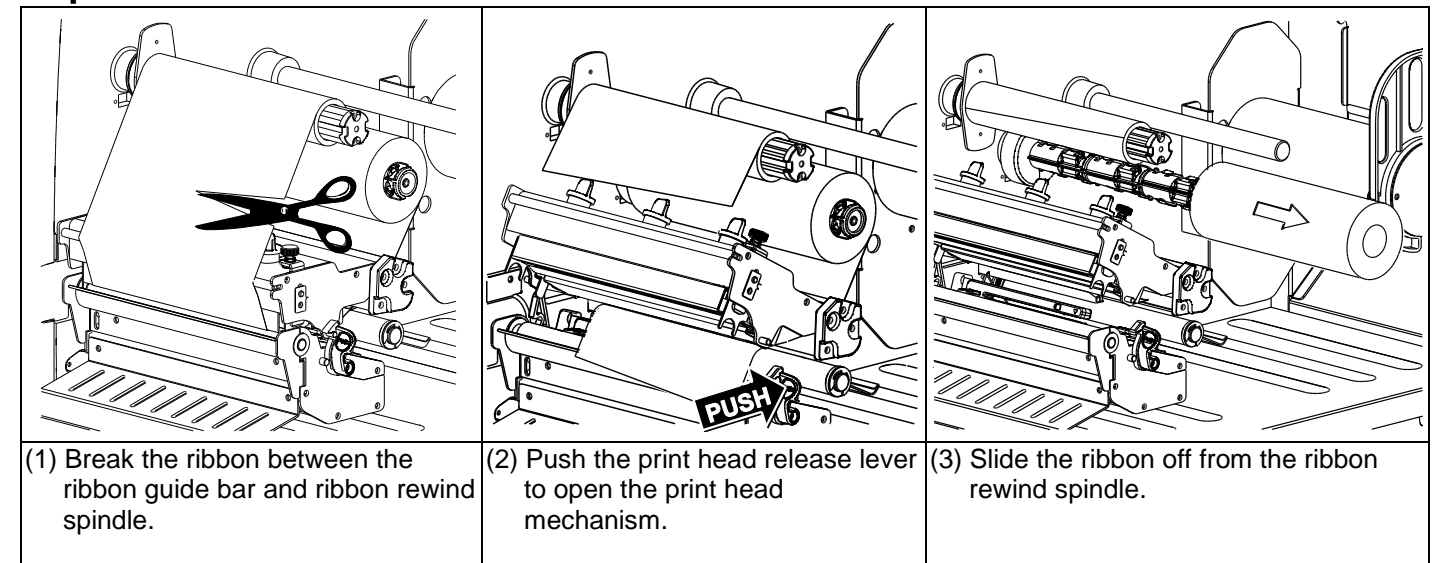
**Note:**  
The interface picture here is for reference only. Please refer to the product specification for the interfaces availability.



## Loading Ribbon



## Replace Ribbon



## Loading Media

(1) Remove the label roll guard.

(2) Place media roll on label supply spindle. Replace label roll guard.

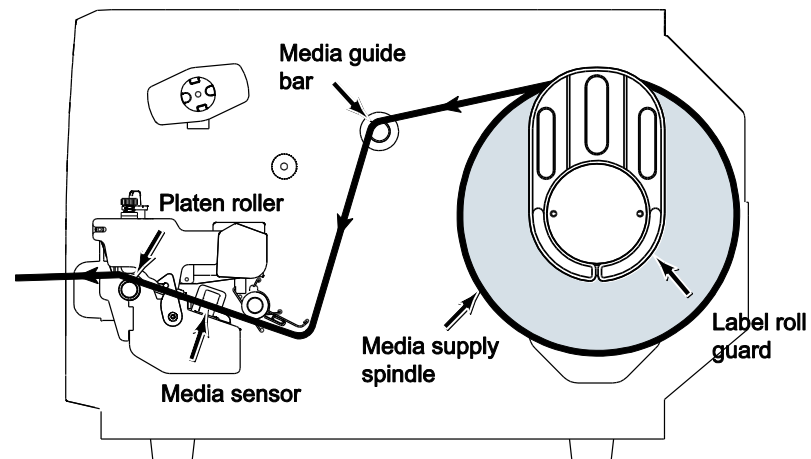
(3) Push the print head release lever to open the print head mechanism.

(4) Pull the leading edge of the label forward through the media guide bar past media sensor, and place the leading edge onto the platen roller.

(5) Press and hold the label guide to adjust it to fit the label width.

(6) Close print head mechanism, making sure the latches are engaged properly.

### \* Loading path for media

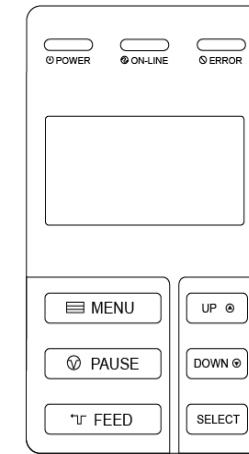


(7) Using the front display panel, set media sensor type and calibrate the selected sensor. (See "Media Sensor Calibration" on facing page.)

**Note: Re-calibrate the gap/black-mark sensors when changing media.**

- \* For more information and features about this printer, refer to the User's Manual on the CD disk.
- \* Specifications, accessories, parts and programs are subject to change without notice.

## Control Panel



LED	Status	Indication
POWER	Off	Printer power off
	On	Printer power on
ON-LINE	On	Printer is ready
	Blinking	Printer is paused
	Blinking	Printer is downloading data
ERROR	Off	Printer is ready
	On	Carriage open or cutter error
	Blinking	No paper, paper jam or no ribbon

Keys	Function
MENU	1. Enter the menu system 2. Once in the menu system, return to previous menu. If at menu root, exits the menu system.
PAUSE	Pauses or resumes printing
FEED	Advances one label
UP	Scroll up the menu options
DOWN	Scroll down the menu options
SELECT	Select the currently highlighted option

## Diagnostic Tool

Diagnostic Utility is an integrated tool incorporating features that enable you to explore a printer's settings/status; change a printer's settings; download graphics, fonts and firmware; create a printer bitmap font; and send additional commands to a printer. With the aid of this powerful tool, you can review printer status and settings in an instant, which makes it much easier to troubleshoot problems and other issues.

### Start the Diagnostic Tool:

- Double click the Diagnostic tool icon ( ) to start the software.
- Four features (Printer Configuration, File Manager, Bitmap Font Manager, Command Tool) are included in the Diagnostic utility.

Features Tab

Printer Functions

Printer Status

Printer Setup

Interface

(3) The Printer Functions group provides the following options:

Printer Function	Function	Description
Calibrate Sensor	Calibrate Sensor	Calibrate the sensor specified in the Printer Setup group media sensor field
Ethernet Setup	Ethernet Setup	Setup the IP address, subnet mask, gateway for the on board Ethernet
RTC Setup	RTC Setup	Synchronize printer Real Time Clock with PC
Print Test Page	Print Test Page	Print a test page
Reset Printer	Reset Printer	Reboot printer
Factory Default	Factory Default	Initialize the printer and restore the settings to factory default.
Dump Text	Dump Text	To activate the printer dump mode.
Ignore AUTO.BAS	Ignore AUTO.BAS	Ignore the downloaded AUTO.BAS program
Configuration Page	Configuration Page	Print printer configuration
Password Setup	Password Setup	Set the password for DiagTool